

**CAMPAIGN
TABLE**

ORTHOGRAPHIC
VIEWS
SECTION ORIGINS
DETAILS

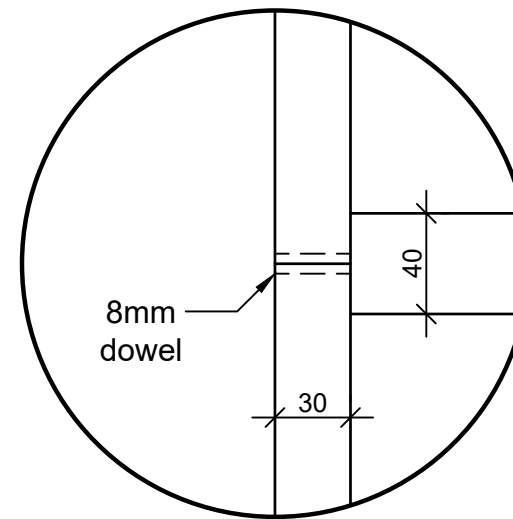
notes:

SCALE - 1:10
OR AS NOTED

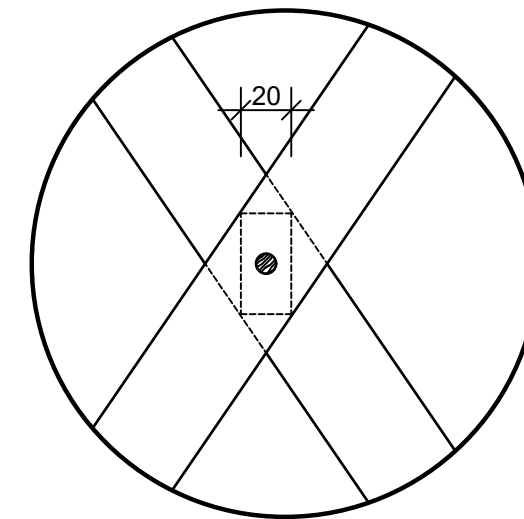
PAGE 1 OF 4

drawn by:
TAB

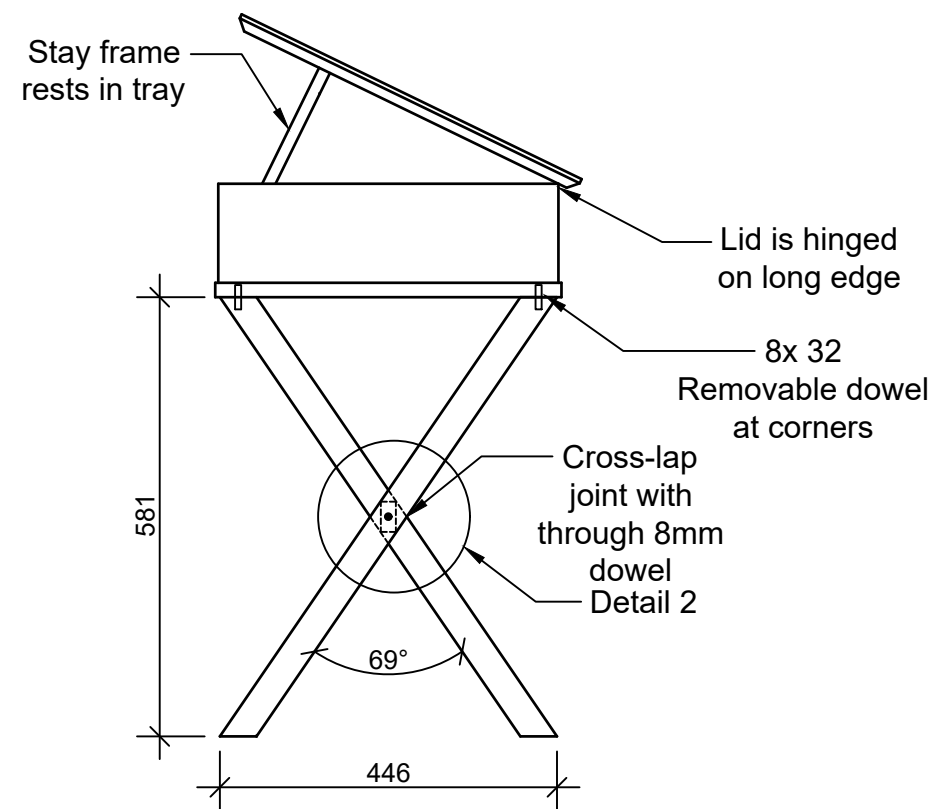
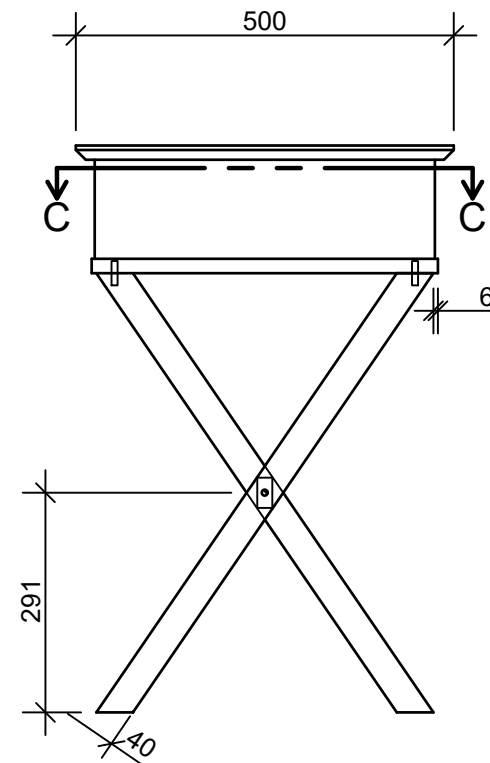
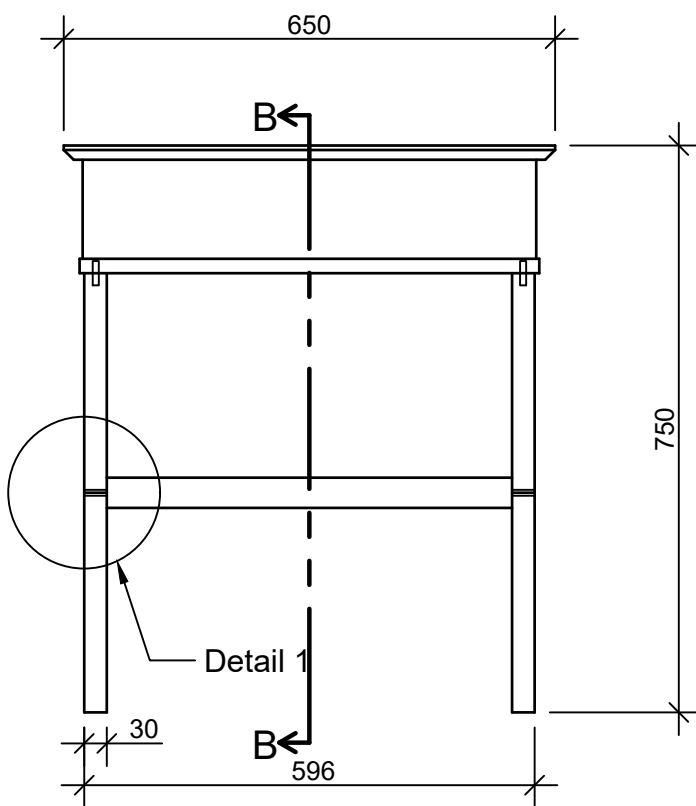
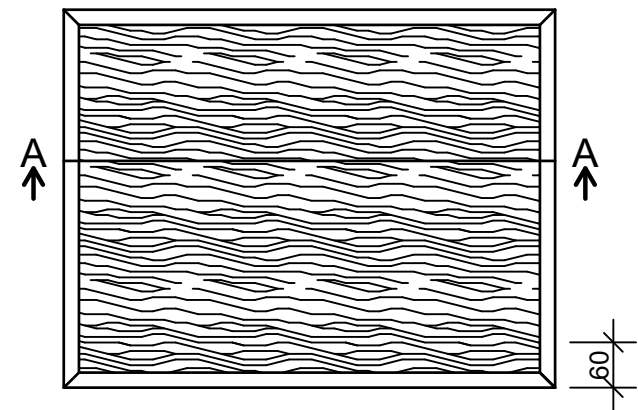
1/18/2025



Detail 1 Scale 1:3



Detail 2 Scale 1:3



**CAMPAIGN
TABLE**

SECTIONS

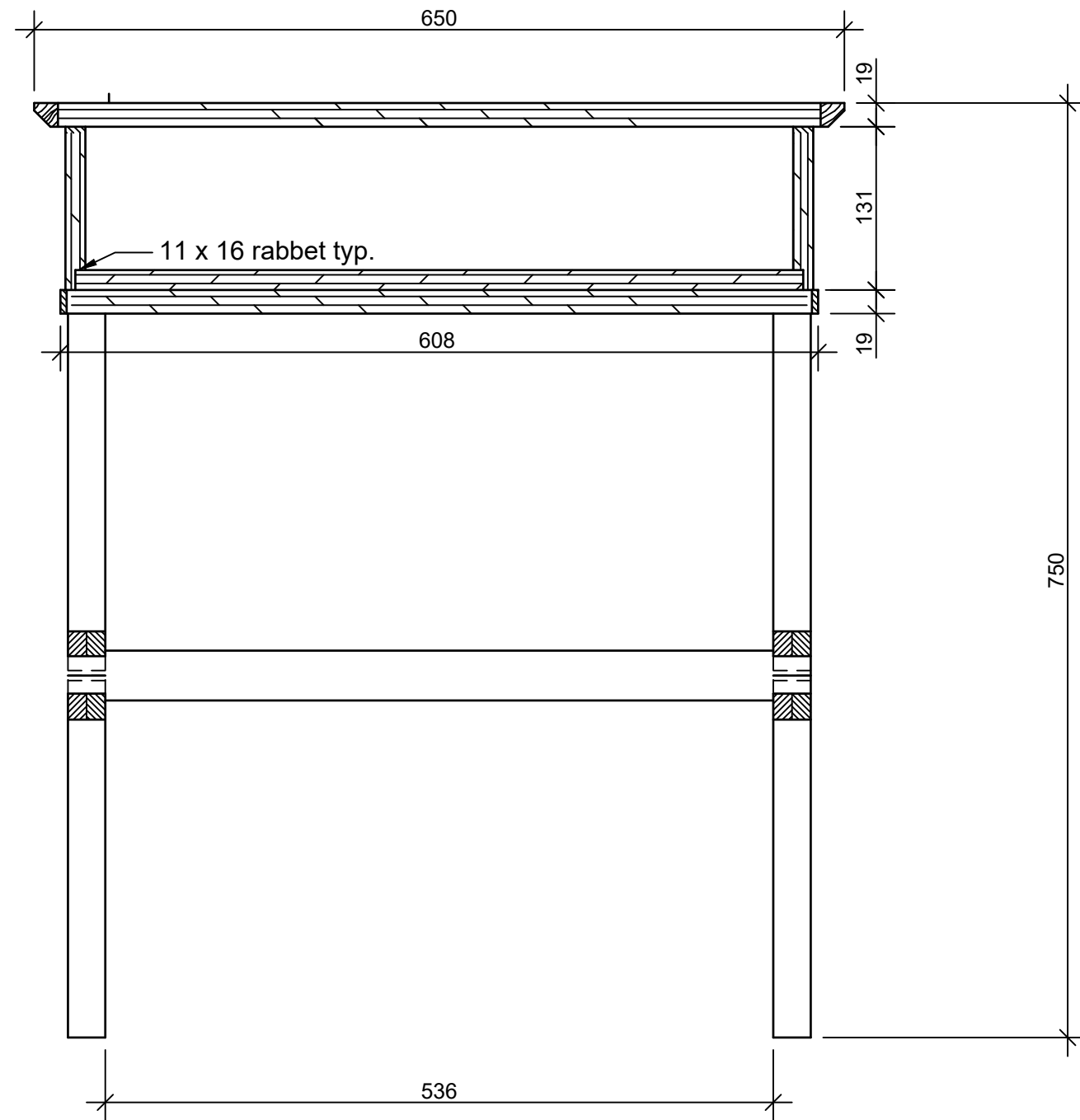
notes:

SCALE - 1:5

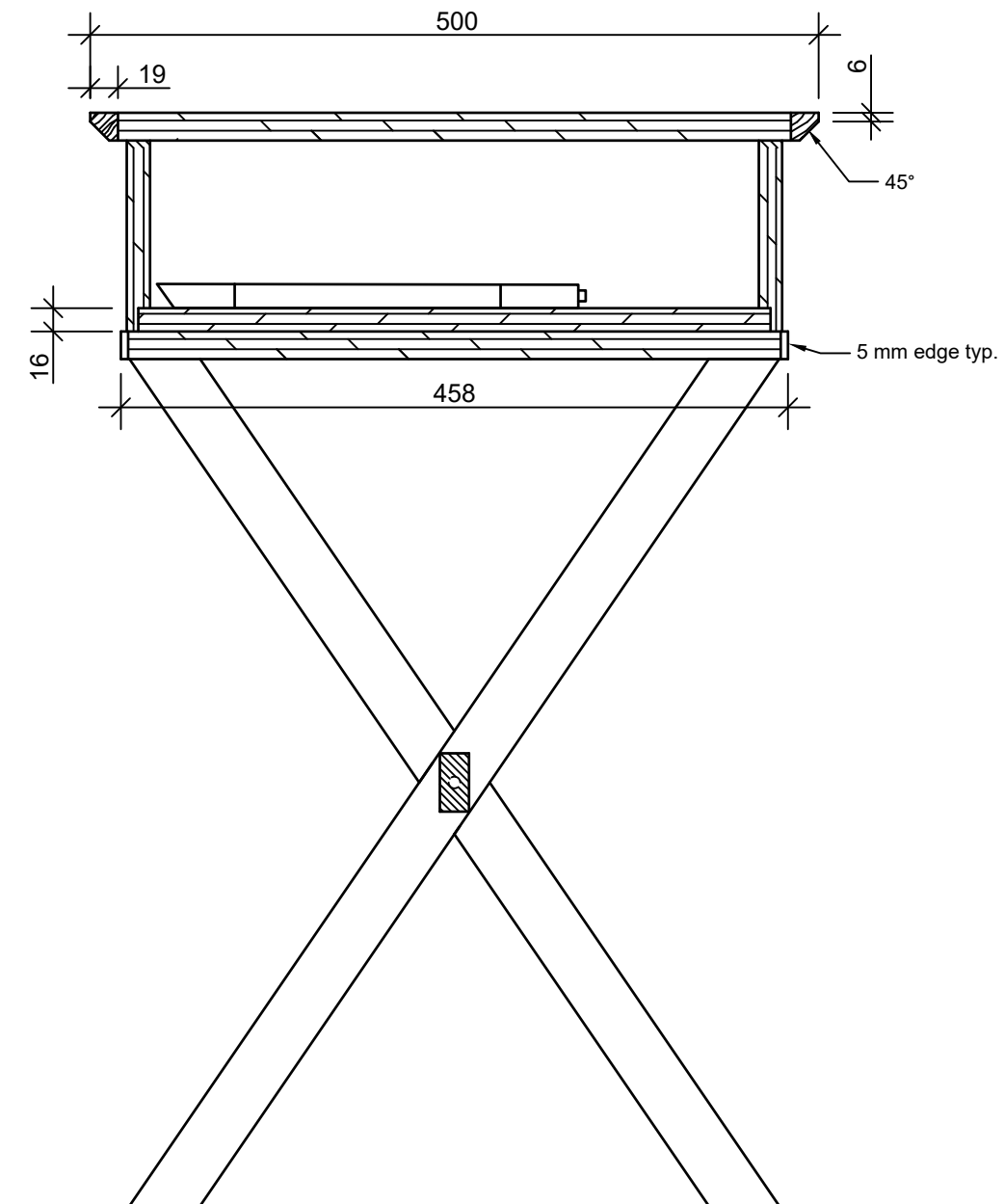
PAGE 2 OF 4

drawn by:
TAB

1/18/2025



SECTION A-A



SECTION B-B

**CAMPAIGN
TABLE**

**TRAY AND DRAWER
DETAILS**

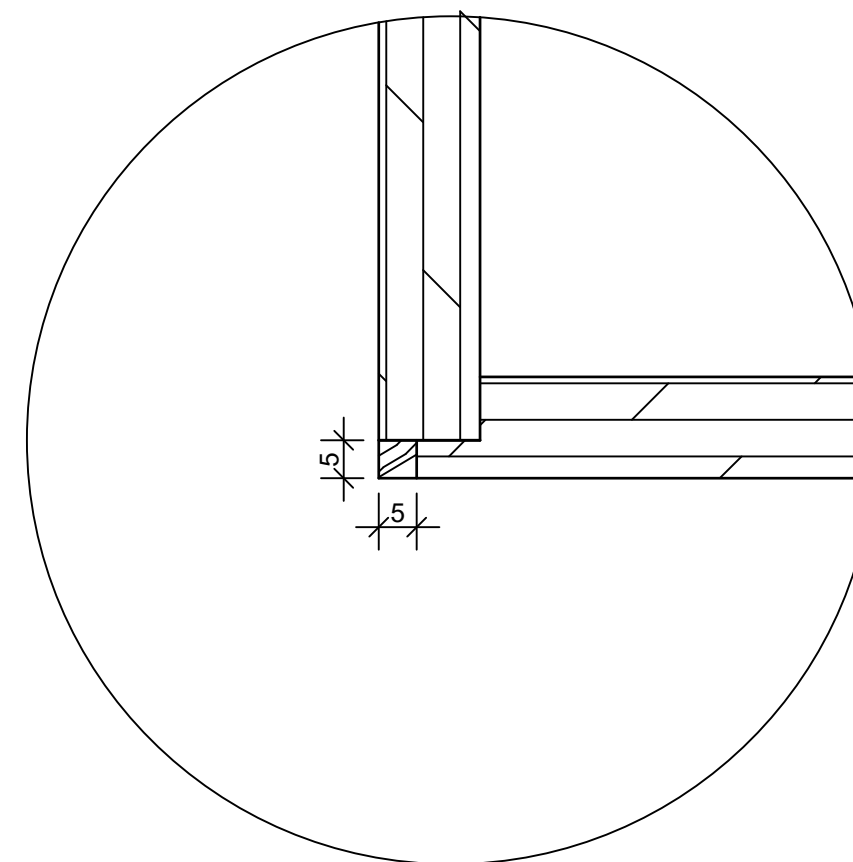
notes:

SCALE - 1:4

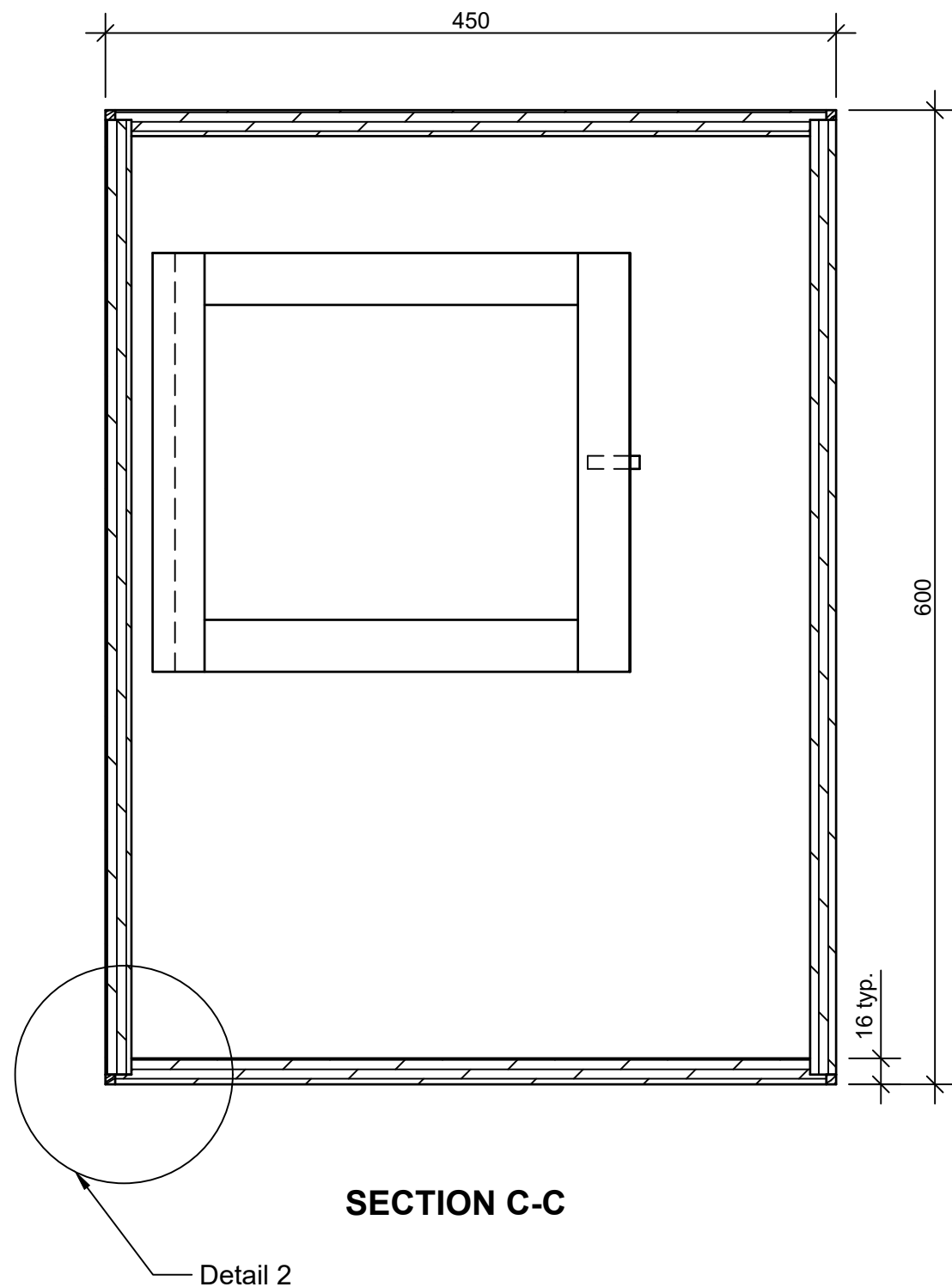
PAGE 3 OF 4

**drawn by:
TAB**

1/18/2025



Detail 3 Scale 1:1



SECTION C-C

**CAMPAIGN
TABLE**

**STAY FRAME
DETAILS**

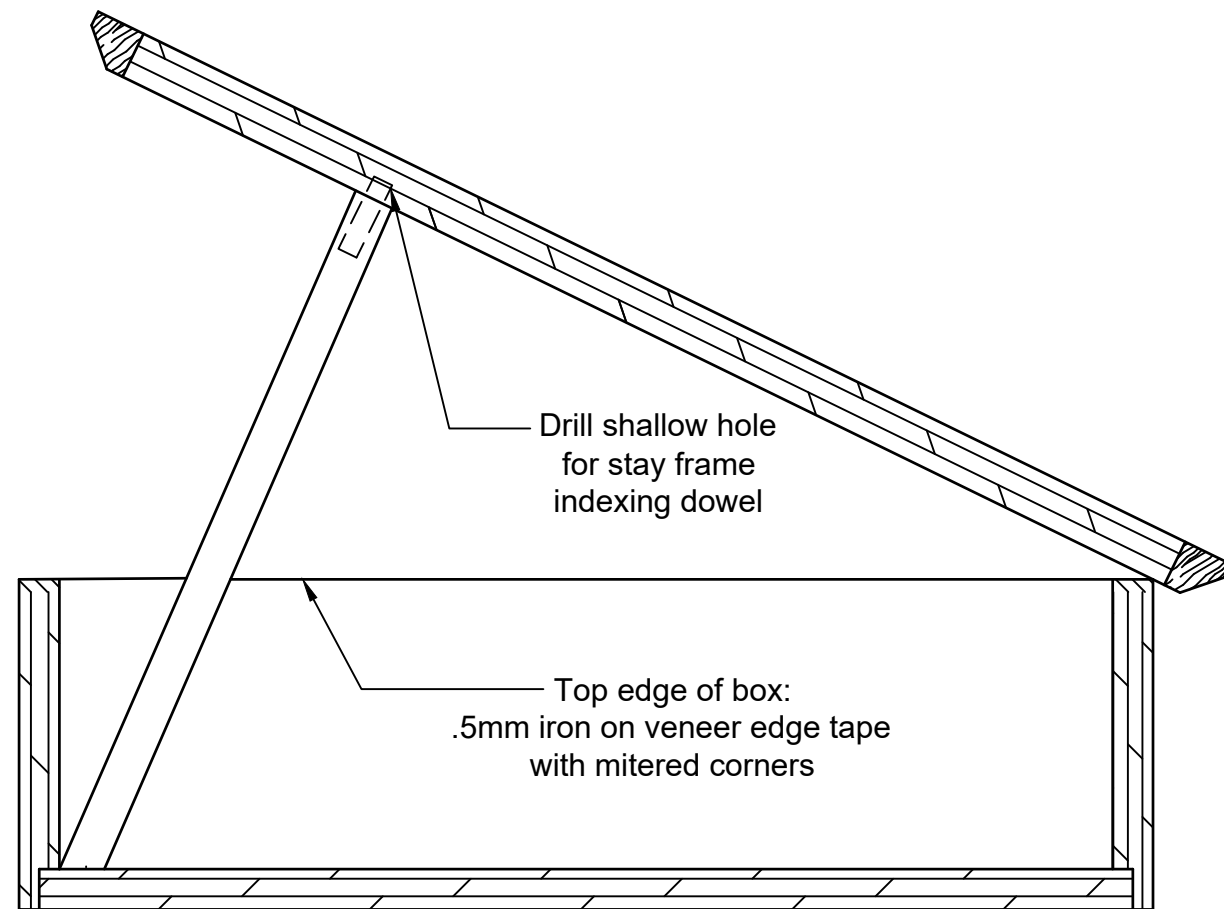
notes:

SCALE - 1:3

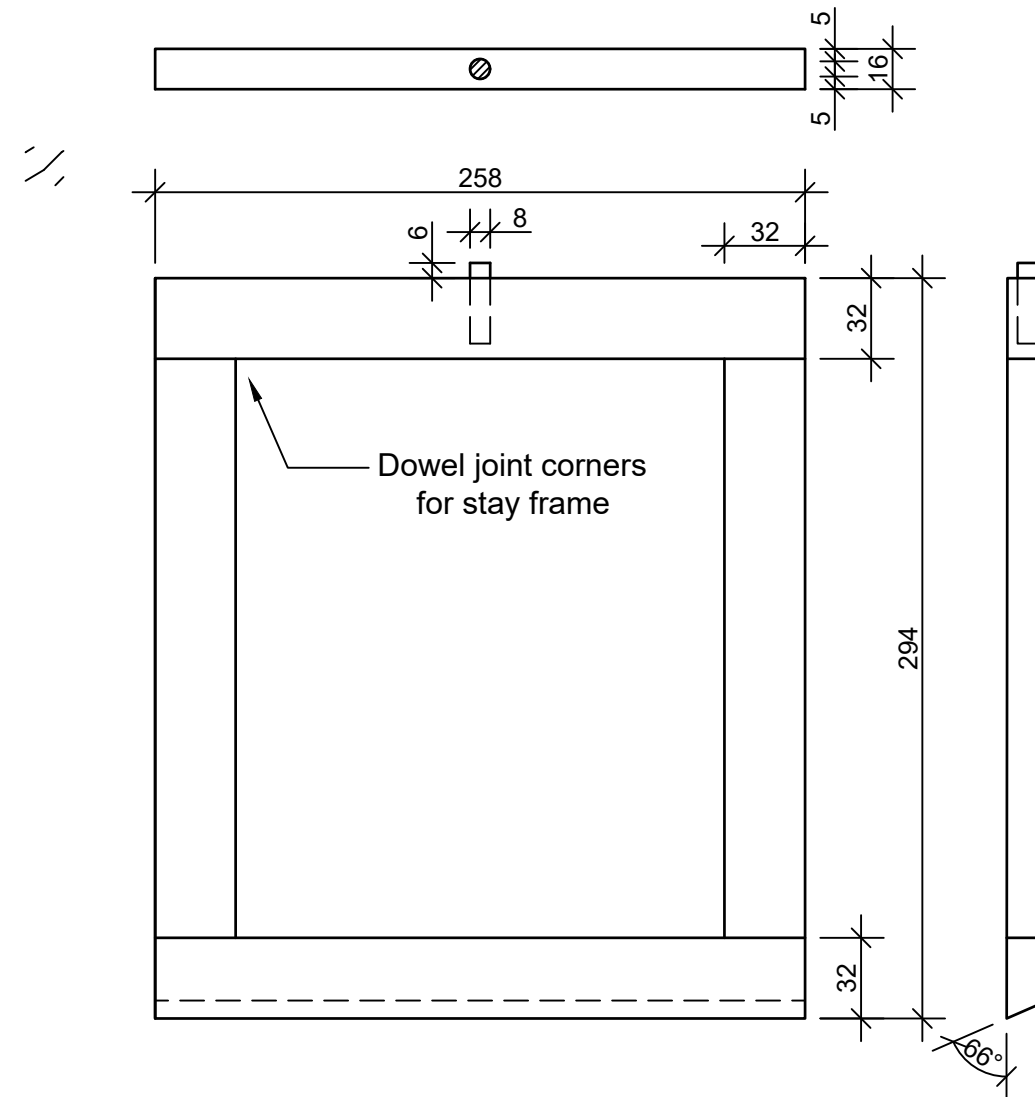
PAGE 4 OF 4

drawn by:
TAB

1/18/2025



**SIDE SECTION
SHOWING POSITION
OF STAY FRAME**



**DETAIL OF STAY
FRAME
CONSTRUCTION**