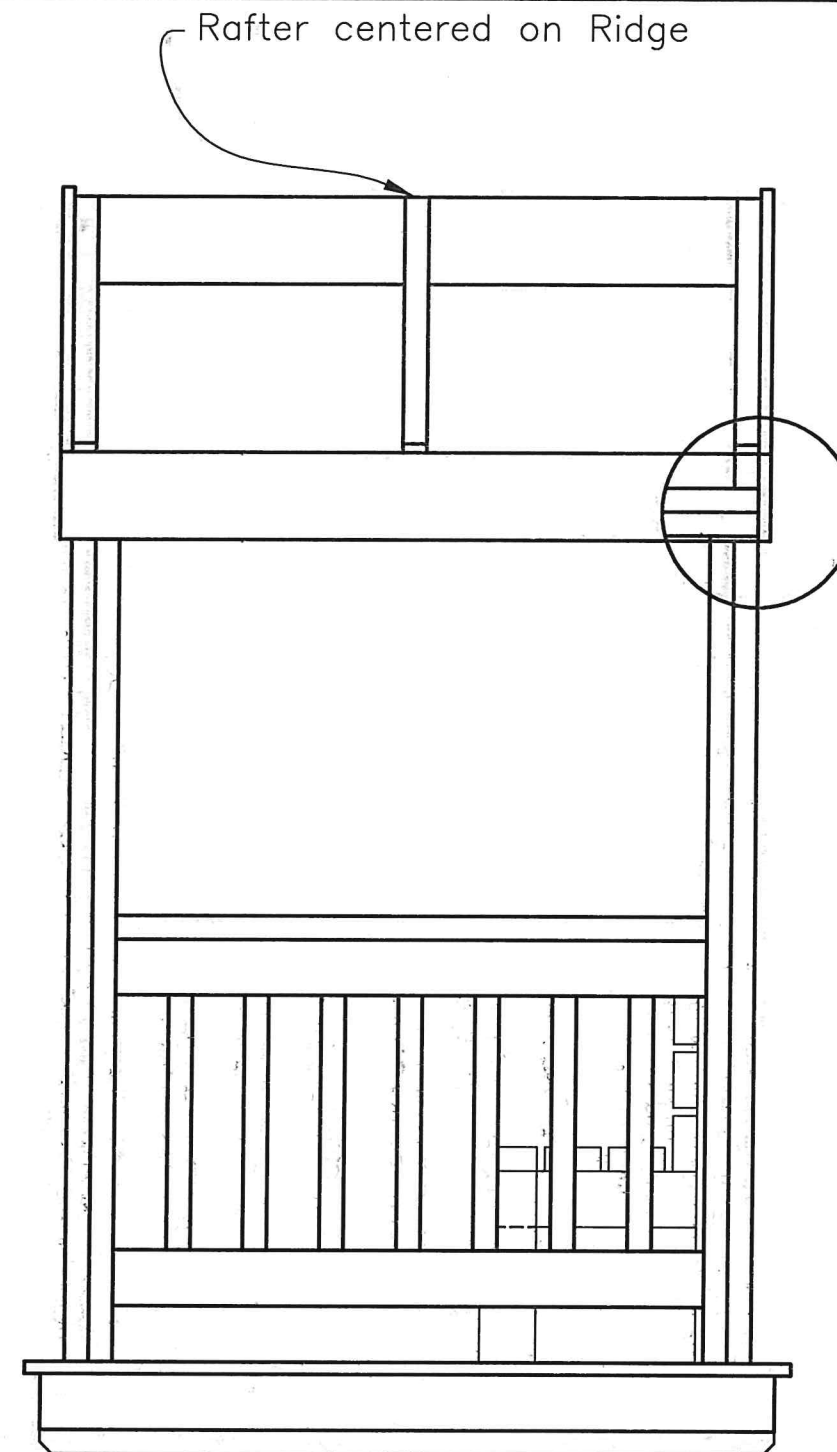


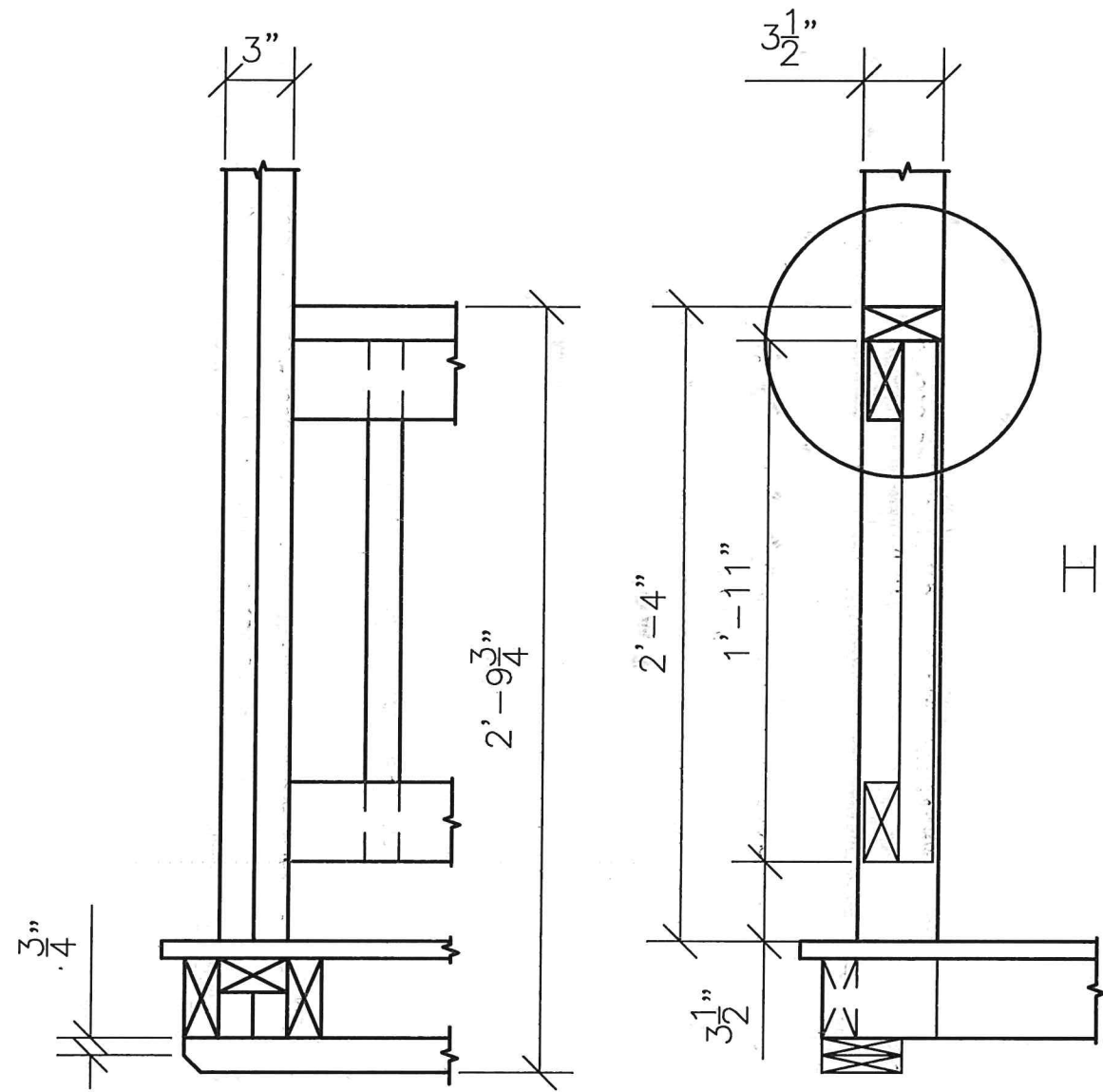
Front View



Right Side View

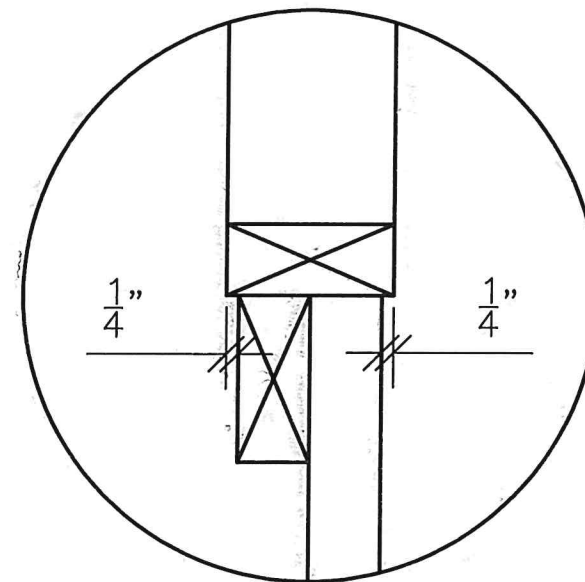


DRAWN BY:	DATE:	SCALE:
CHECKED BY:	DATE:	PERIOD:
DWG NO:		REV: 0

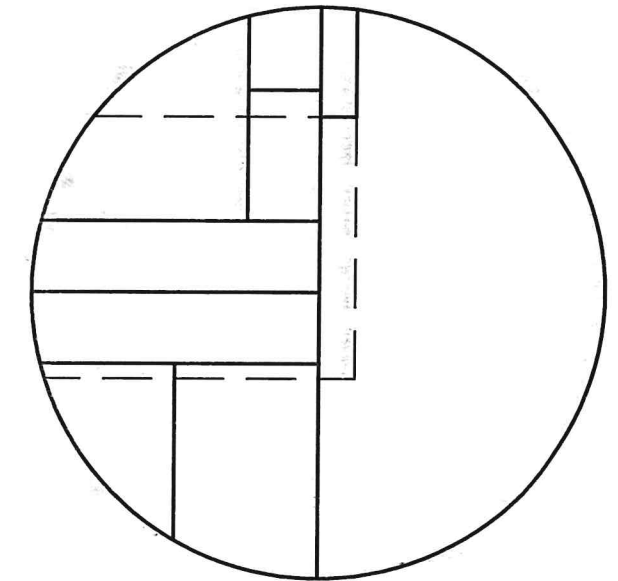


Floor and railing section

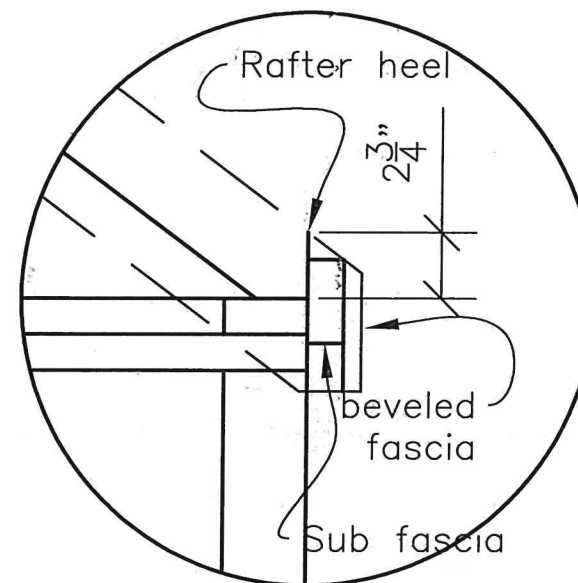
- All balusters are to be made from 2x4's ripped to 1.5" at the competition using a table saw.
- All balusters are to be fastened using 2.5" screws



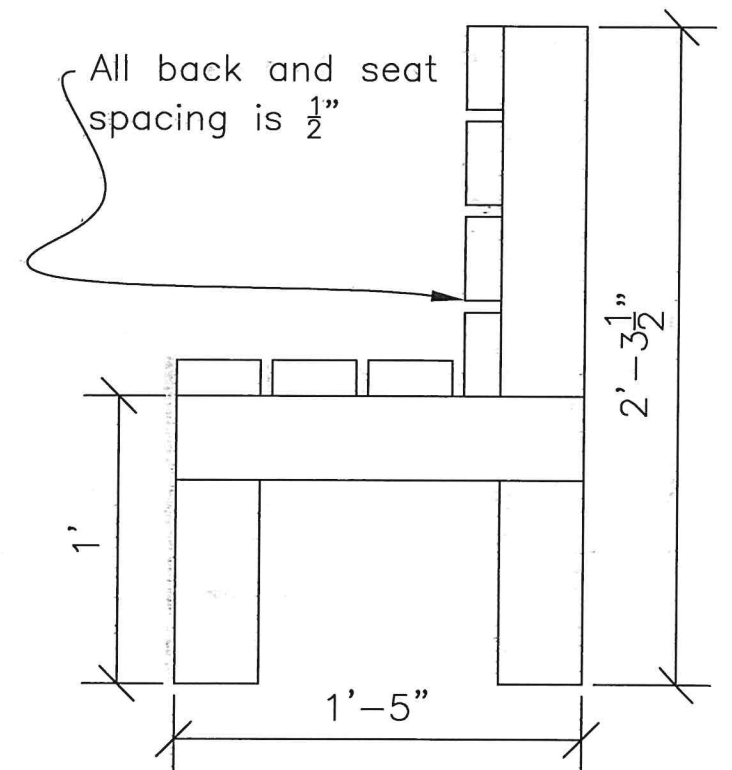
Handrail & top rail detail



Gable to eave detail



Eave framing detail

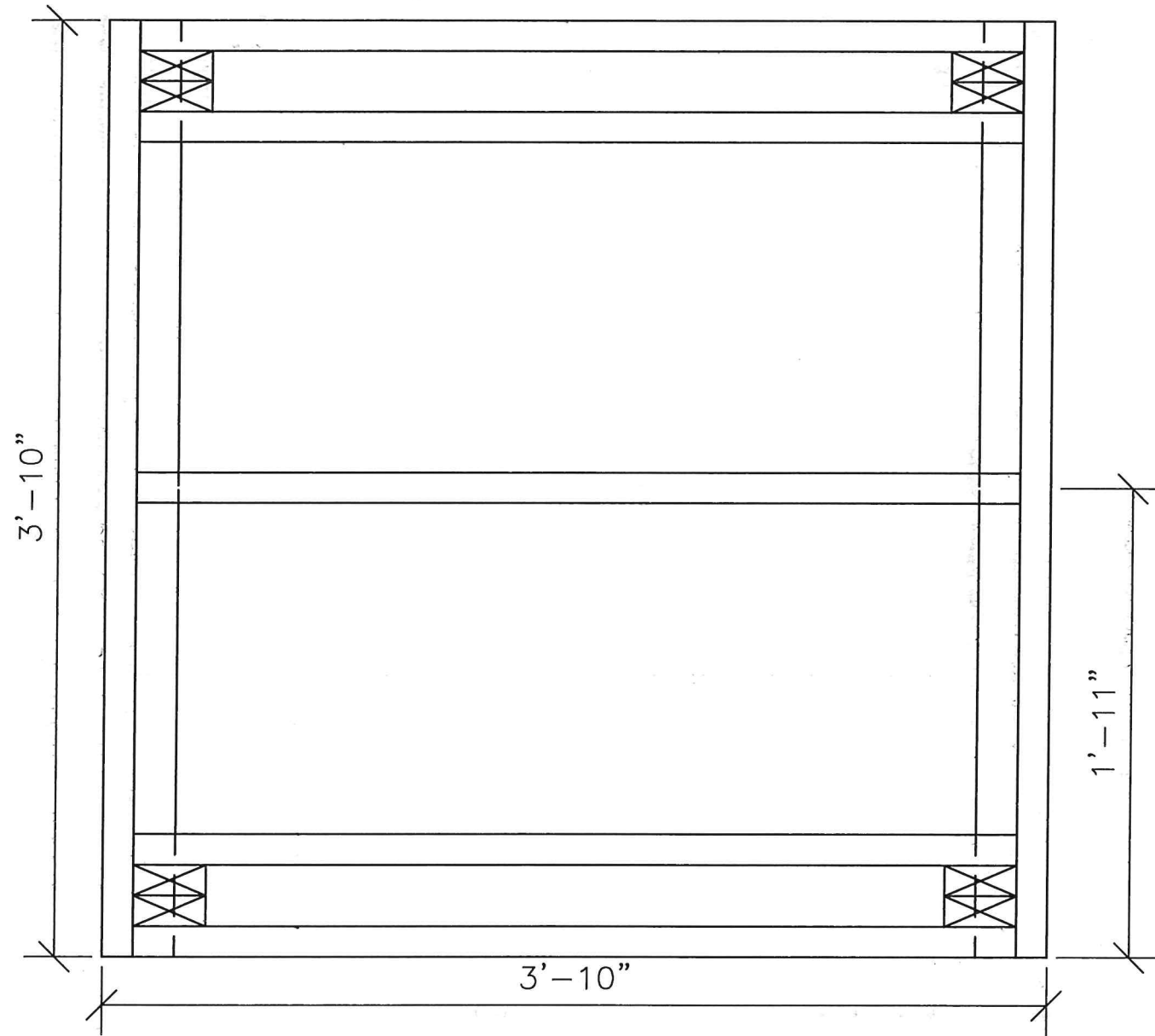


Bench detail

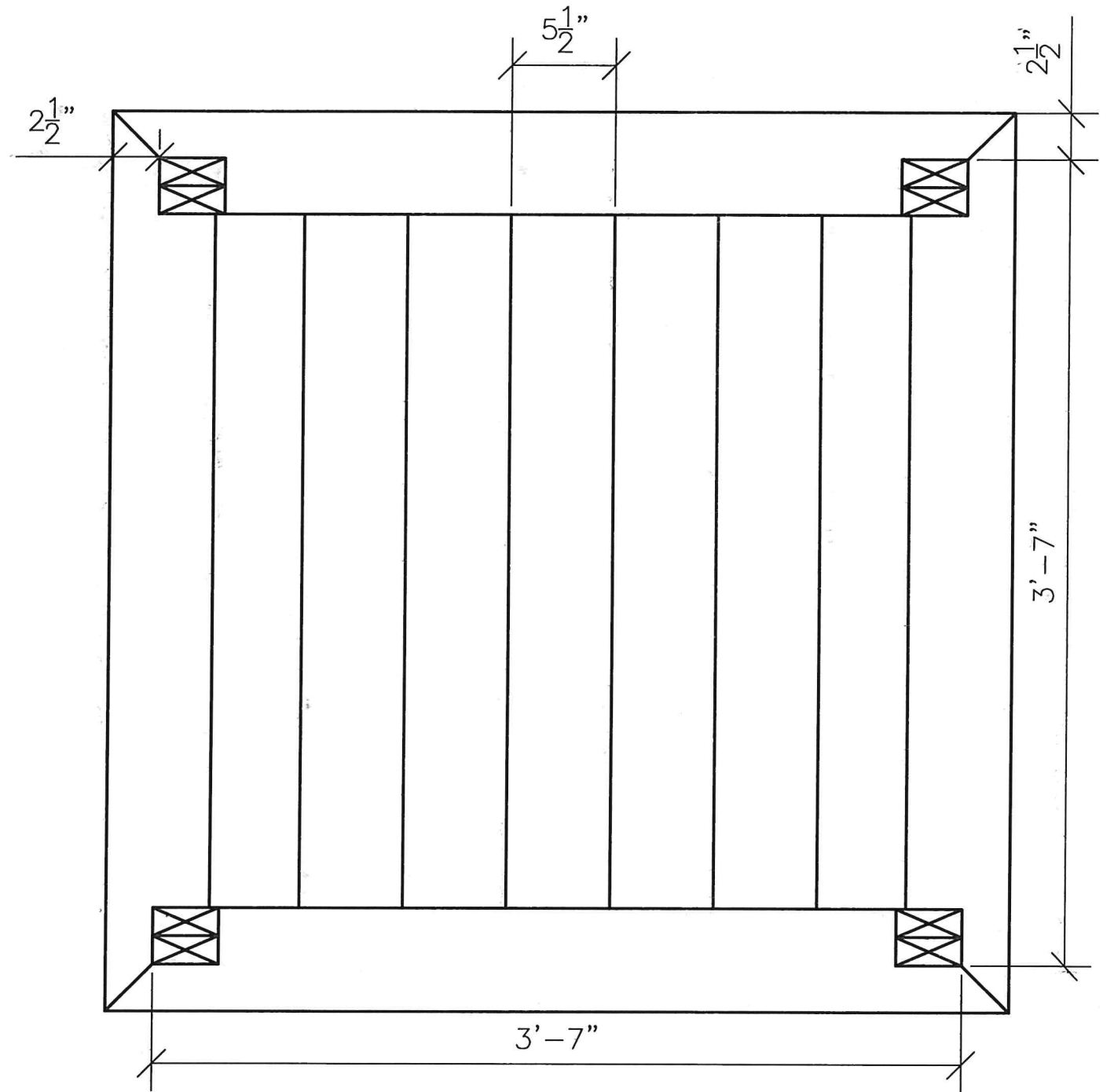


DRAWN BY:	DATE:	SCALE:
CHECKED BY:	DATE:	PERIOD:
DWG NO:	REV:	0

- Posts are 2-2x4's fastened together
- Backing between joists are ripped by competitor at competition.
- Decking shall be spaced from the center
- Fasteners used to make posts are 2.5" screws
- Fasteners used in floor are 3.5" nails
- Fasteners used in decking are 2.5" screws



Floor Framing

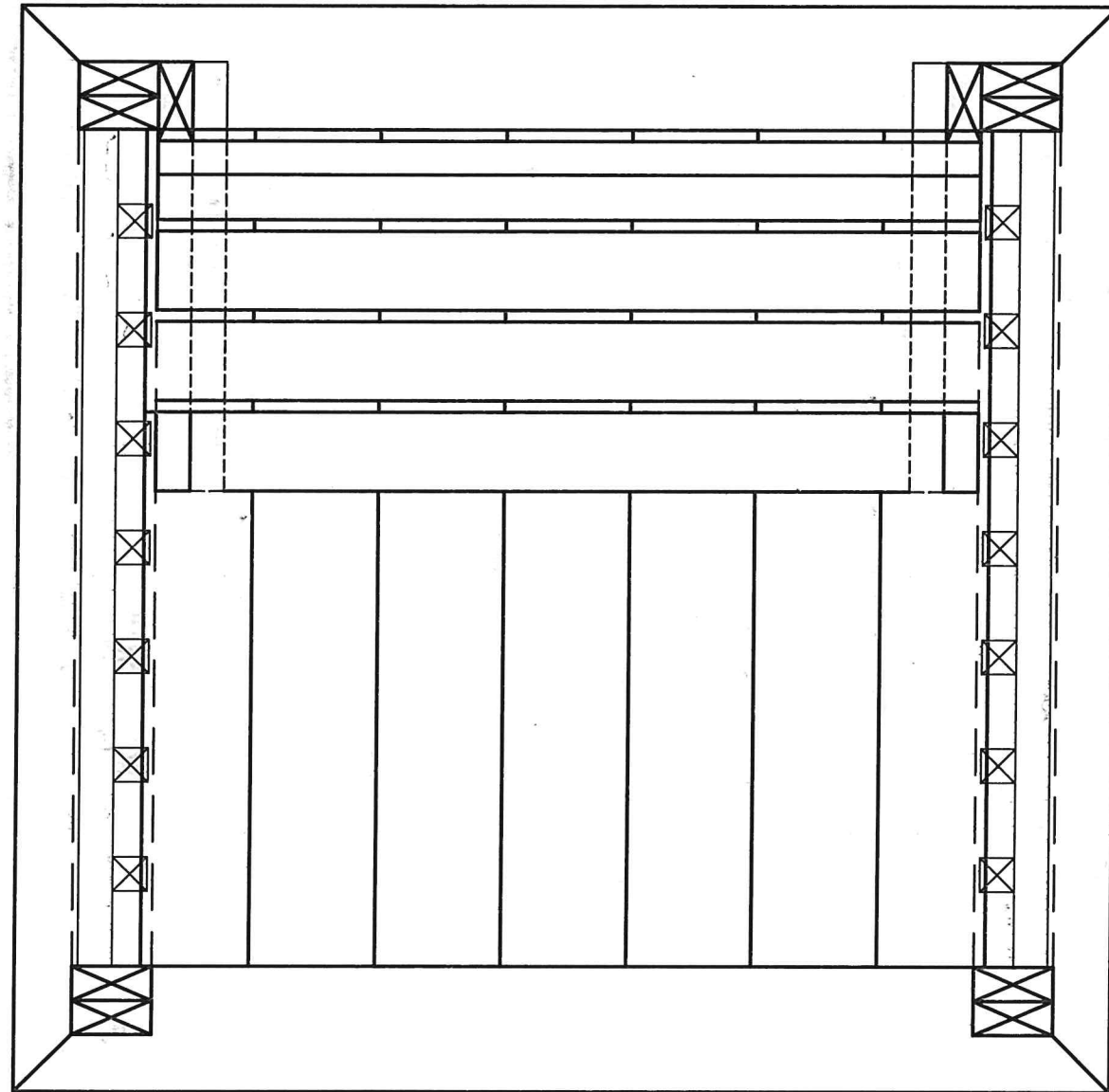


Floor Decking



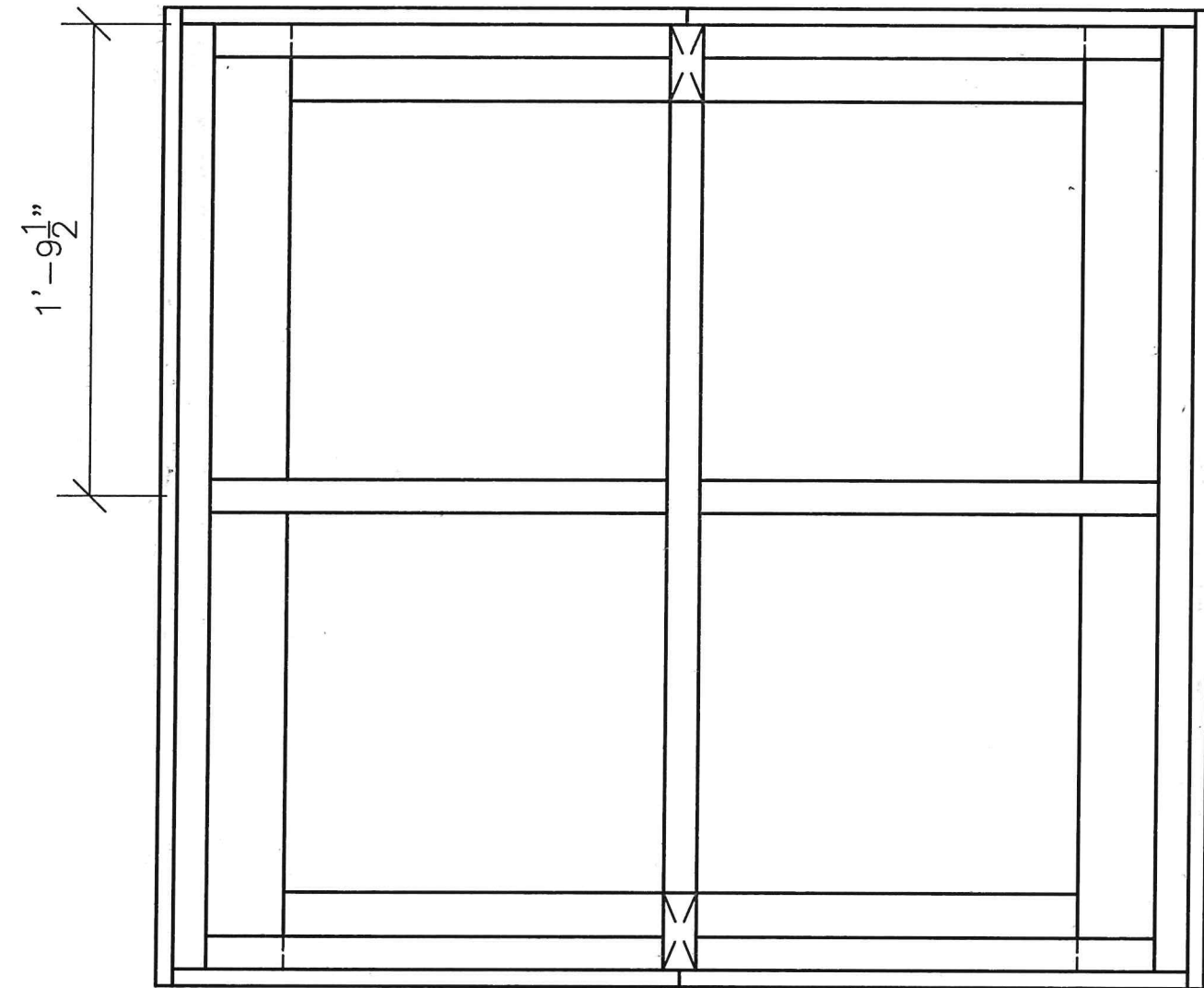
DRAWN BY:	DATE:	SCALE:
CHECKED BY:	DATE:	PERIOD:
DWG NO:		REV: 0

- Fasteners used to attach all rails are 3" screws
- Fasteners used to attach balusters are 2.5" screws
- Fasteners used to frame bench are 3" screws
- Fasteners used to attach bench seat and back are 2.5" screws



Wall Section

- Fasteners used to attach roof framing is 3.5" nails
- Fasteners used to attach 1x6 fascia is 2.5" RH nails



Roof Framing



DRAWN BY:	DATE:	SCALE:
CHECKED BY:	DATE:	PERIOD:
DWG NO:	REV:	0