

PARTS LIST		
ITEM	QTY	PART NUMBER
1	1	Base
2	1	flywheel_support
3	1	Flywheel
4	1	Cylinder_Valve
5	1	Piston
6	1	Piston Pushrod
7	1	Valve
8	1	Valve Rod
9	1	Cylinder_Valve_Cap
10	1	Flywheel_M
11	1	Part1
12	2	ANSI B18.2.2 - 8 - 32, HMSNI
13	2	ANSI B18.6.3 - No. 8 - 32 - 1/2, CRBHMSTII(2)
14	1	ANSI B18.6.3 - No. 6 - 32 - 1/2, CRBHMSTII(2)
15	1	ANSI B18.2.2 - 6 - 32, HMSNI
16	3	ANSI B18.6.3 - No. 8 - 32 - 3/4, CRBHMSTII(2)
17	1	Nipple
18	1	Retainer



**MECHANICAL CAD
COMPETITION**

DRAWING TITLE

DRAWN BY

Nino

DATE

18/03/2021

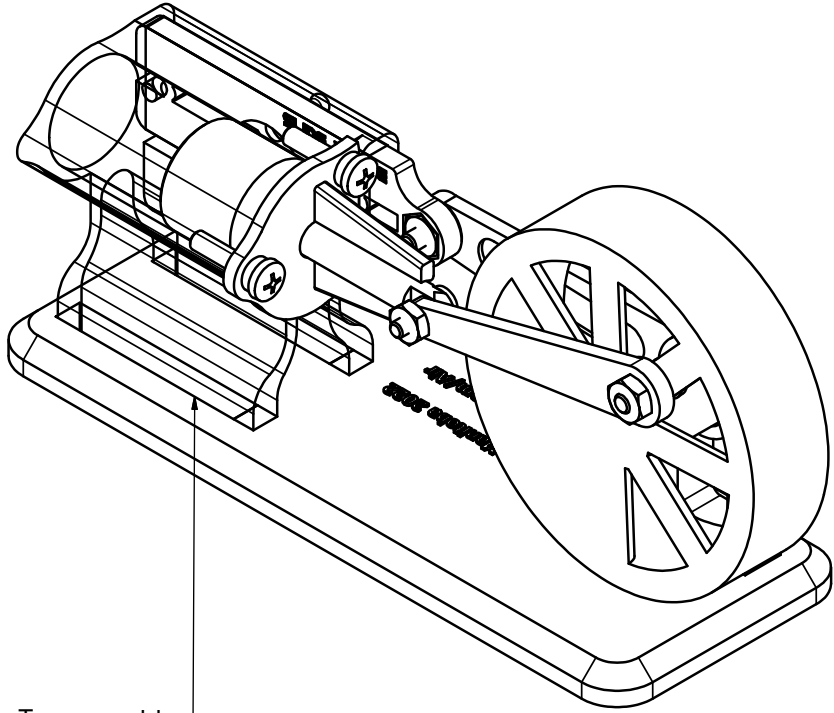
SCALE

DRAWING NO.

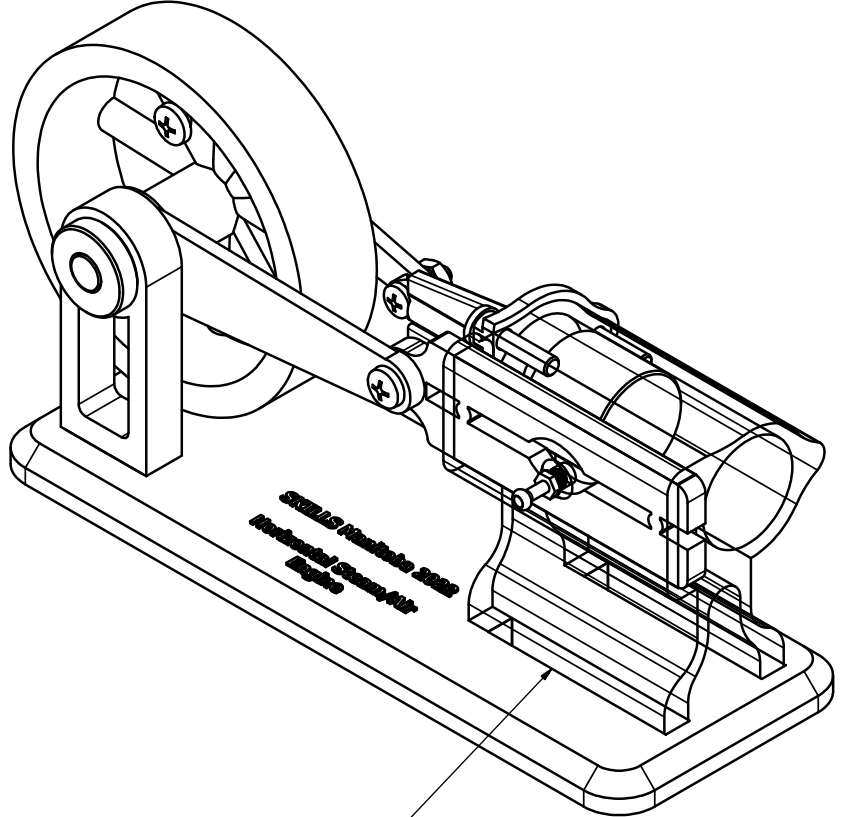
Steam_Air Engine Assembly

6 5 4 3 2 1

D C B A



Made Transparent to show internal parts



Made Transparent to show internal parts

6 5 4 3 2 1



MECHANICAL CAD COMPETITION

DRAWING TITLE

DRAWN BY

Nino

DATE

18/03/2021

SCALE

DRAWING NO.

Steam_Air Engine Assembly

D C B A

