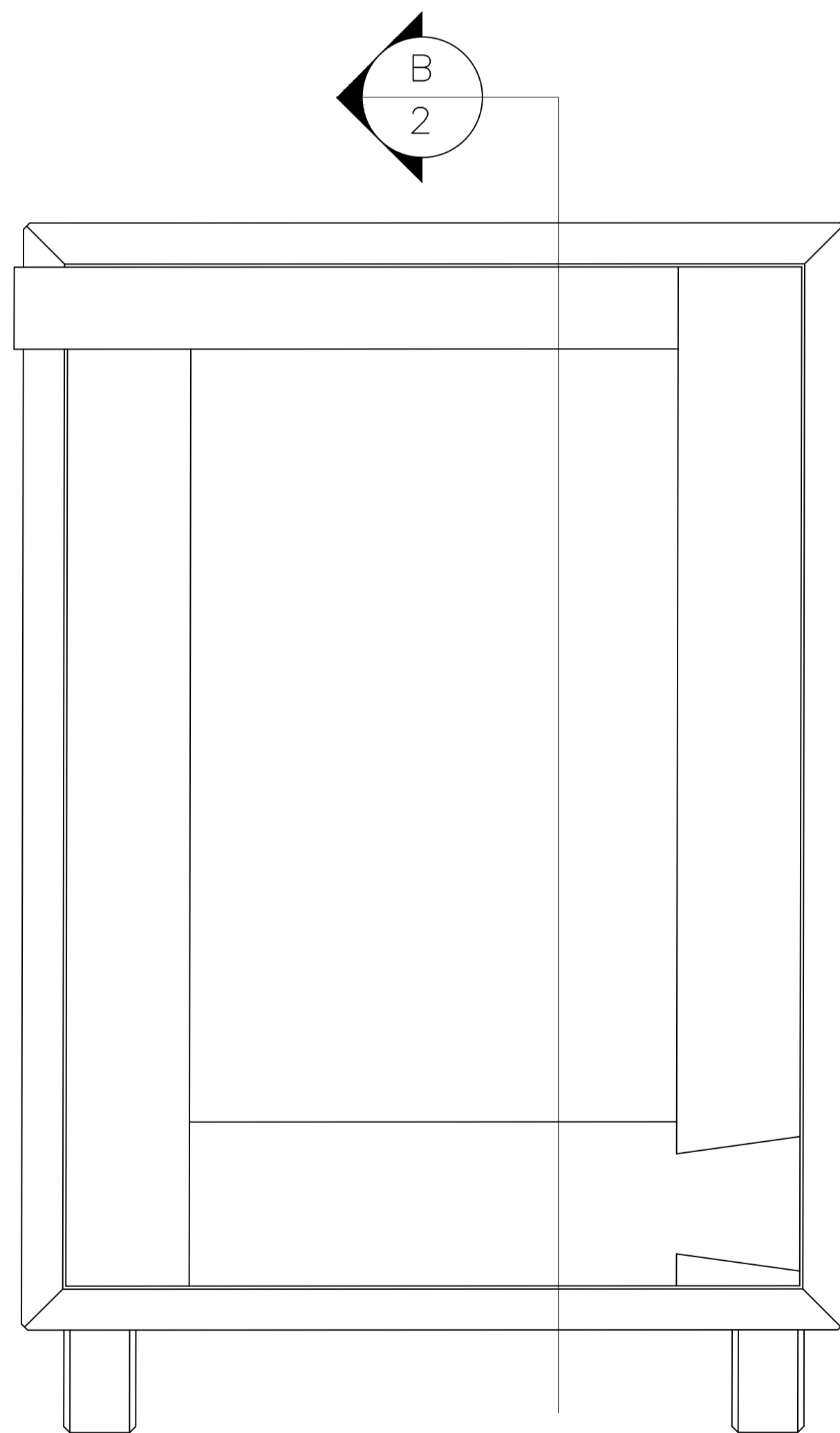
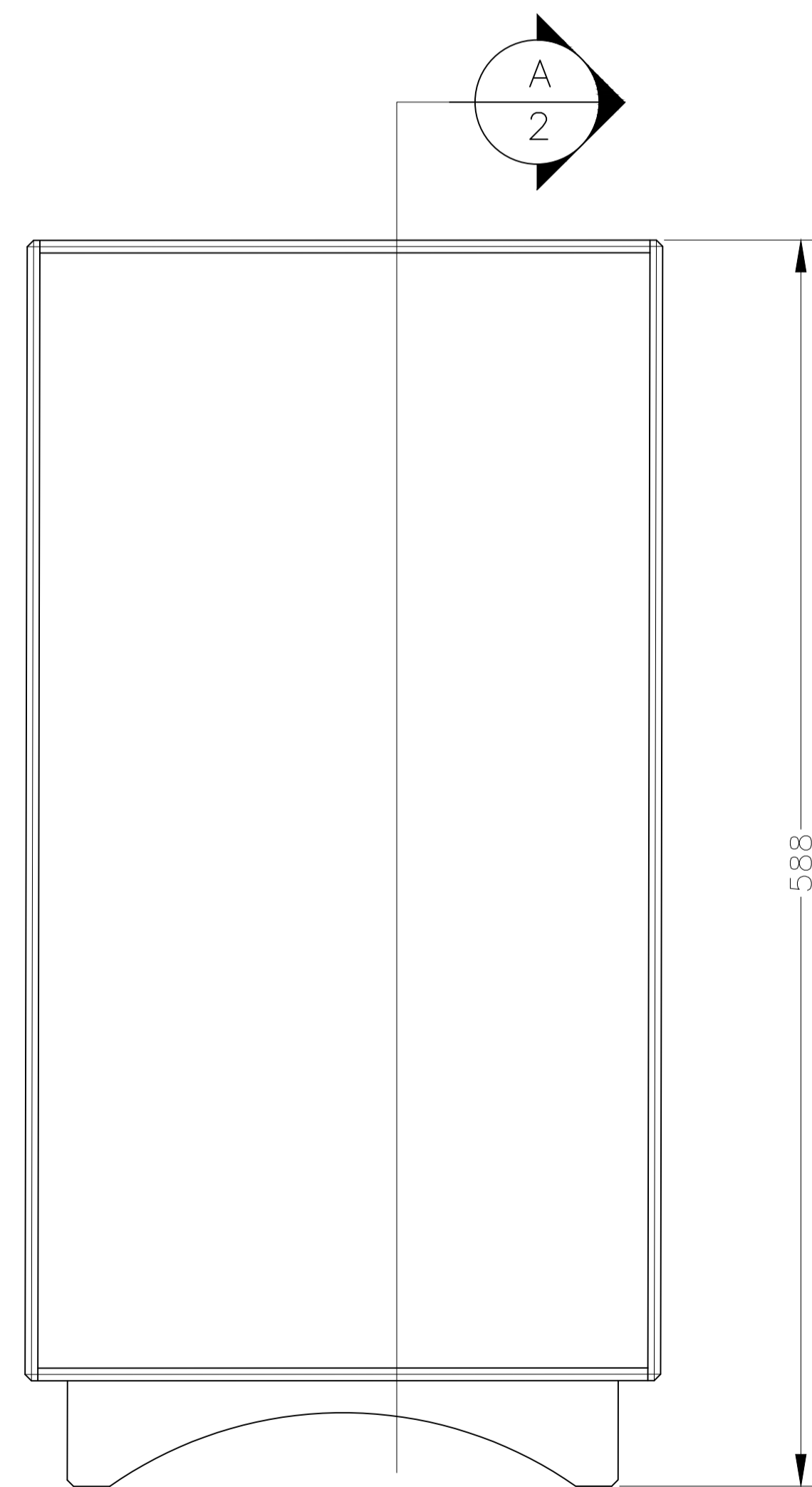


PLAN VIEW  
SCALE = 1:5



ELEVATION  
SCALE = 1:5



SIDE VIEW  
SCALE = 1:5

NOTES:

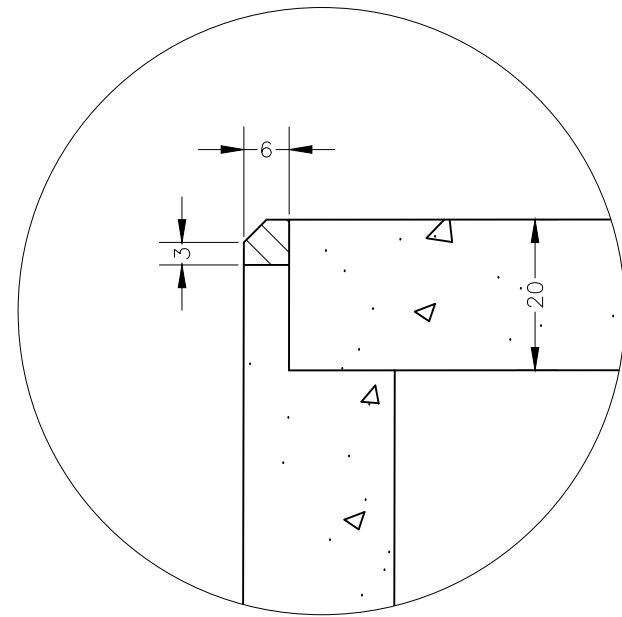
- ALL CHAMFERS 3 MM X 3 MM UNLESS OTHERWISE NOTED
- DOOR STILES TO BE WALNUT. RAILS TO BE CHERRY.
- ALL OTHER SOLID TO BE WALNUT
- MAPLE SHEET GOOD THICKNESS MAY VARY. CONFIRM WITH ACTUAL MATERIAL

ALL DIMENSIONS IN METRIC

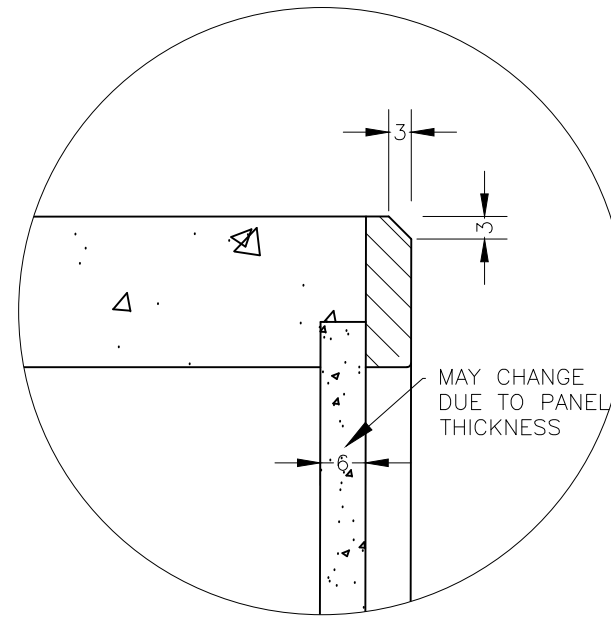
**NOTES:**

- ALL CHAMFERS 3 MM X 3 MM UNLESS OTHERWISE NOTED
- DOOR STILES TO BE WALNUT. RAILS TO BE CHERRY.
- ALL OTHER SOLID TO BE WALNUT
- MAPLE SHEET GOOD THICKNESS MAY VARY. CONFIRM WITH ACTUAL MATERIAL

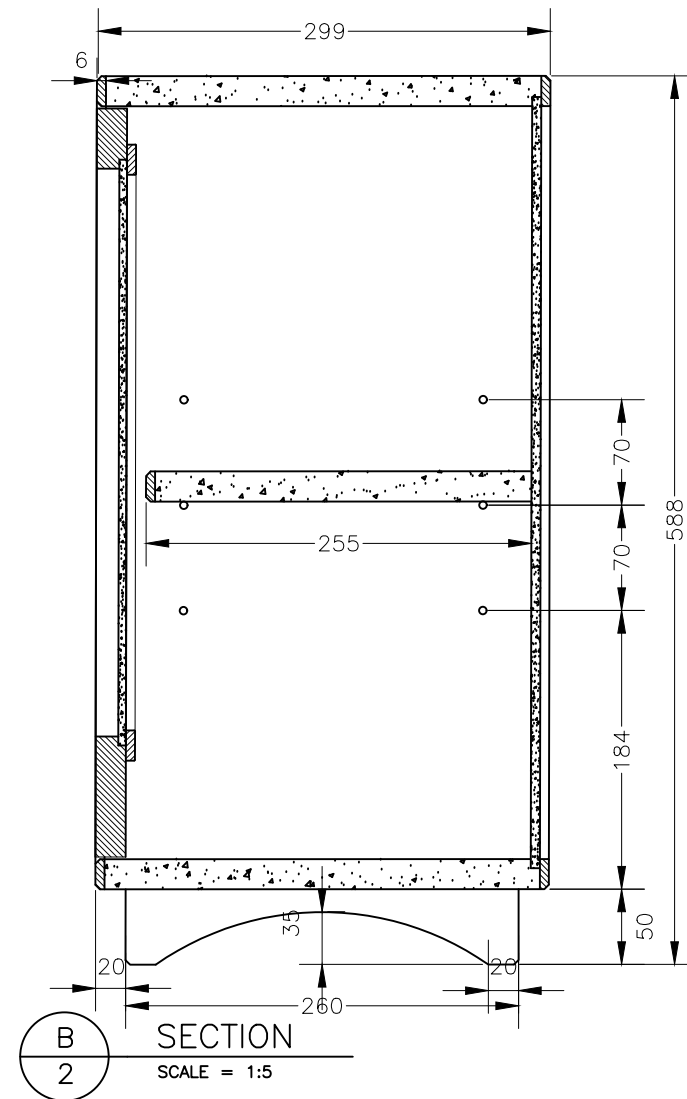
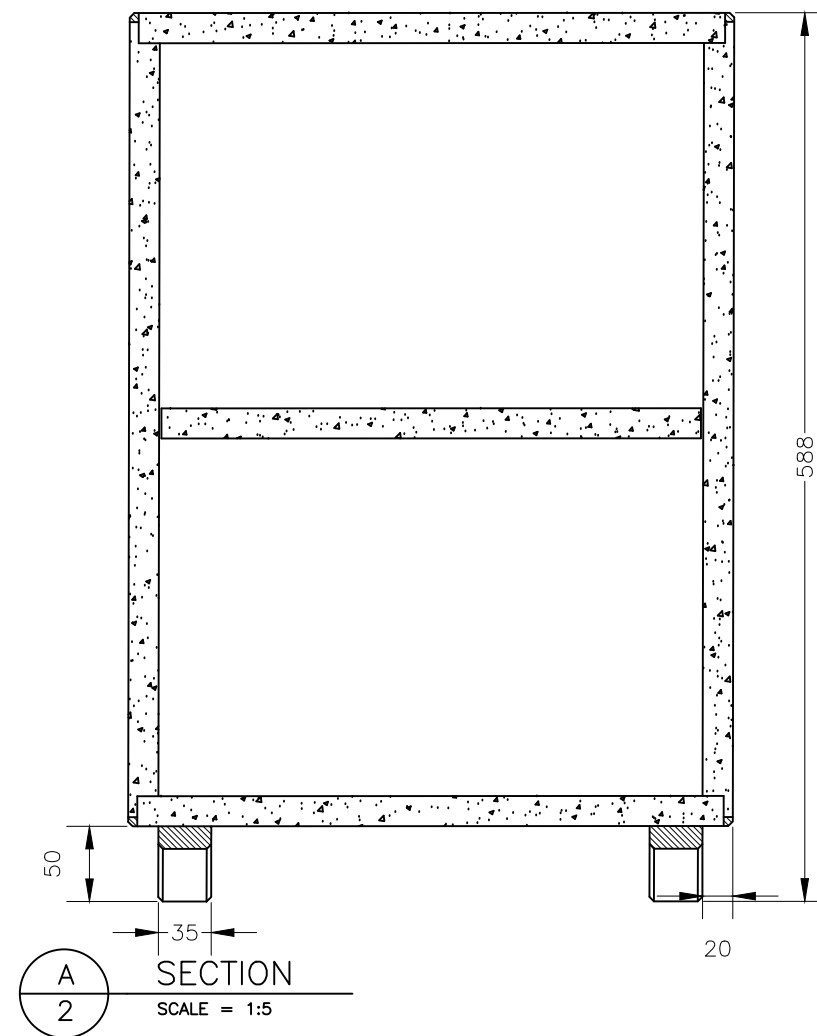
ALL DIMENSIONS IN METRIC



CORNER FRONT DETAIL  
SCALE = 1:1

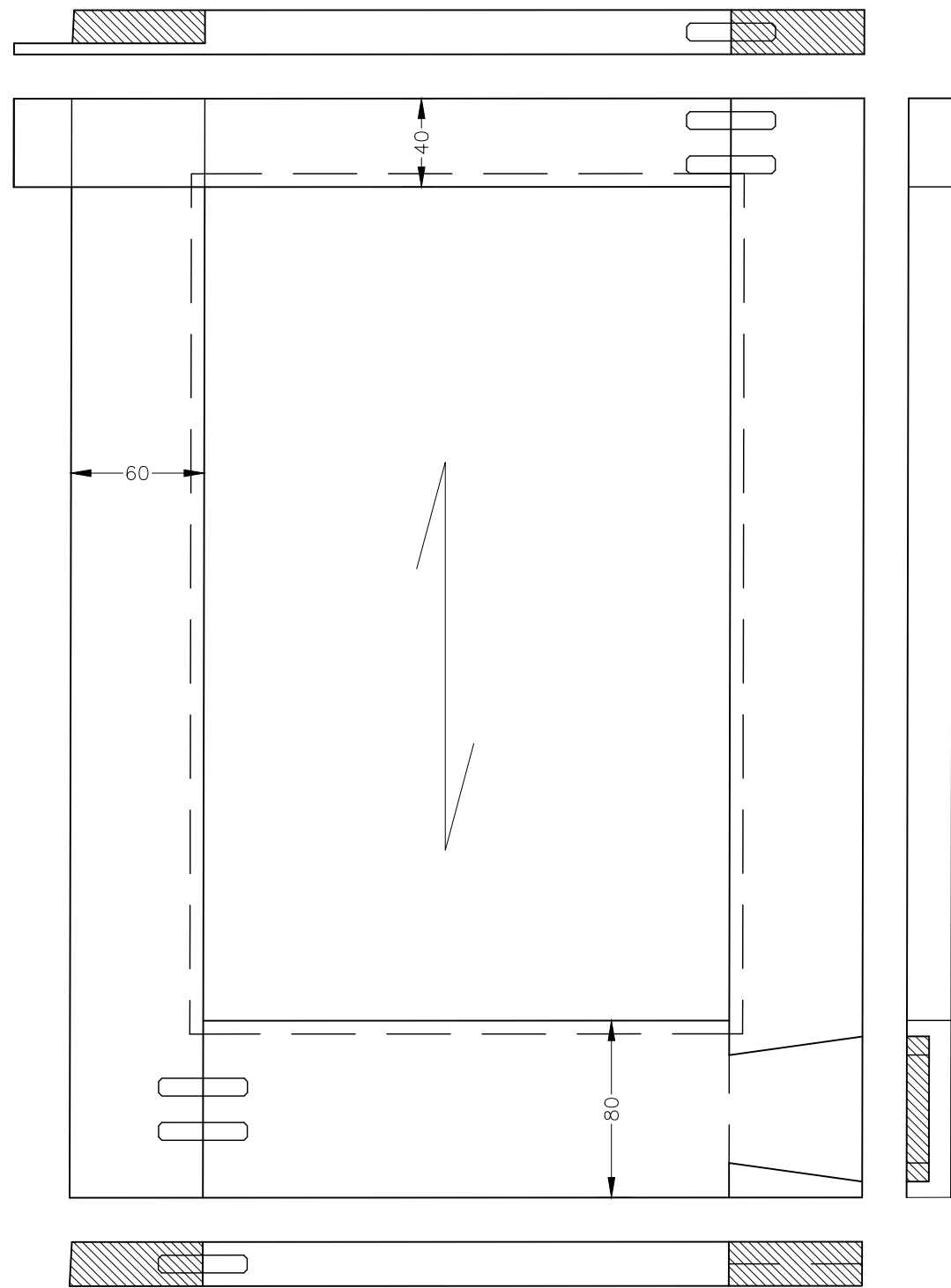


SIDE APRON DETAIL  
SCALE = 1:1

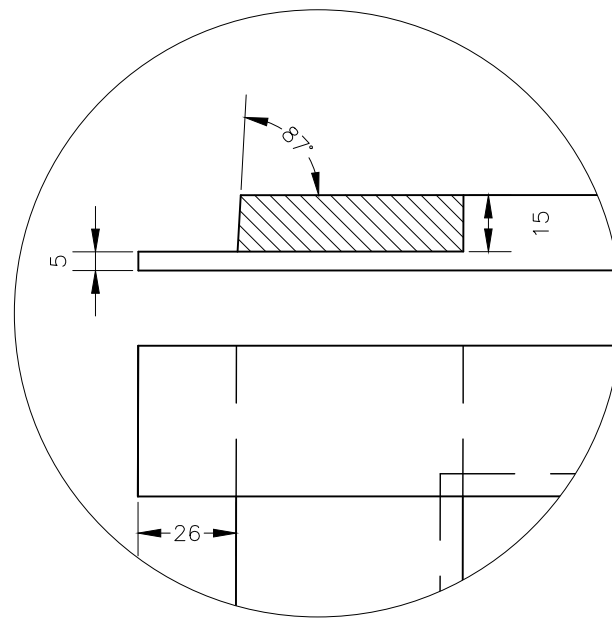


DETAIL A

DETAIL B

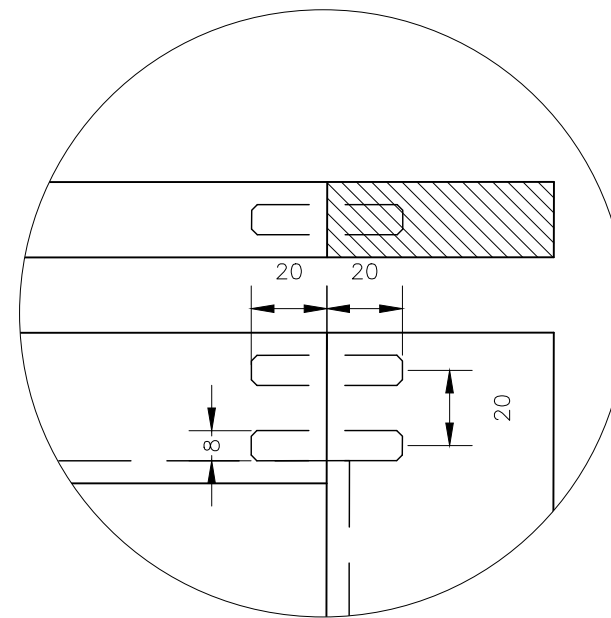


DETAIL C



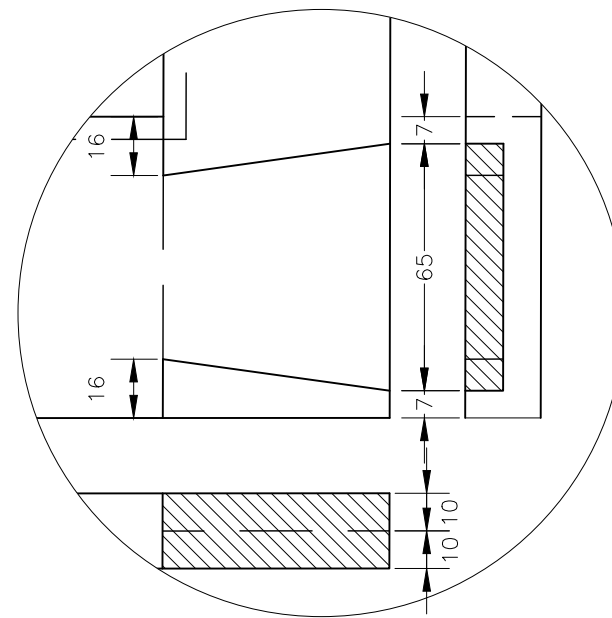
DETAIL

SCALE = 1:2



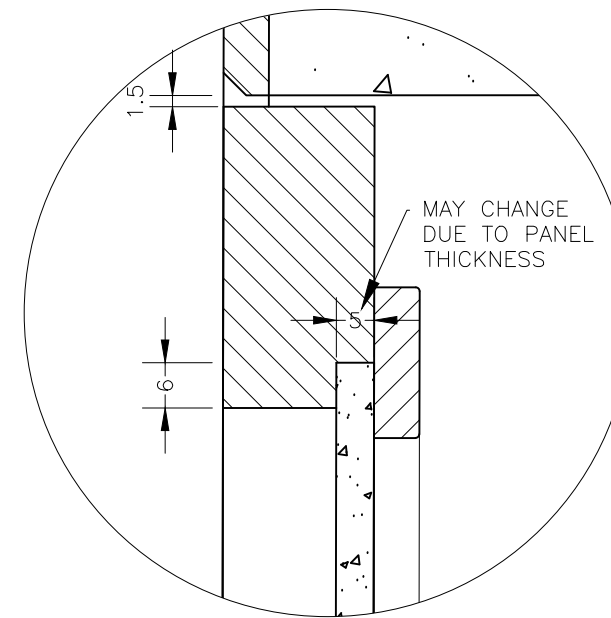
DETAIL

SCALE = 1:2



DETAIL

SCALE = 1:2



DOOR PANEL DETAIL

SCALE = 1:1

CABINET MAKING

WINNIPEG 2012

END\_TABLE

NOTES:

- ALL CHAMFERS 3 MM X 3 MM UNLESS OTHERWISE NOTED
- DOOR STILES TO BE WALNUT. RAILS TO BE CHERRY.
- ALL OTHER SOLID TO BE WALNUT
- MAPLE SHEET GOOD THICKNESS MAY VARY. CONFIRM WITH ACTUAL MATERIAL

ALL DIMENSIONS IN METRIC

A  
2

DOOR

SCALE = 1:3