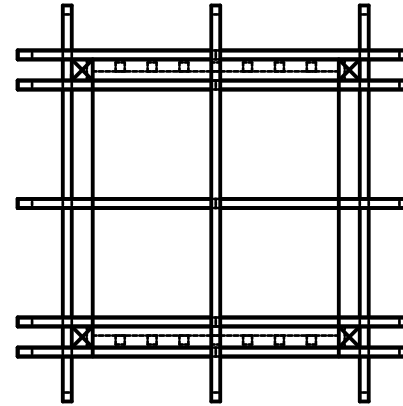
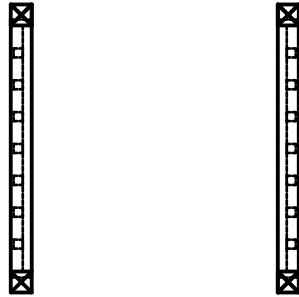


Railing Layout Plan

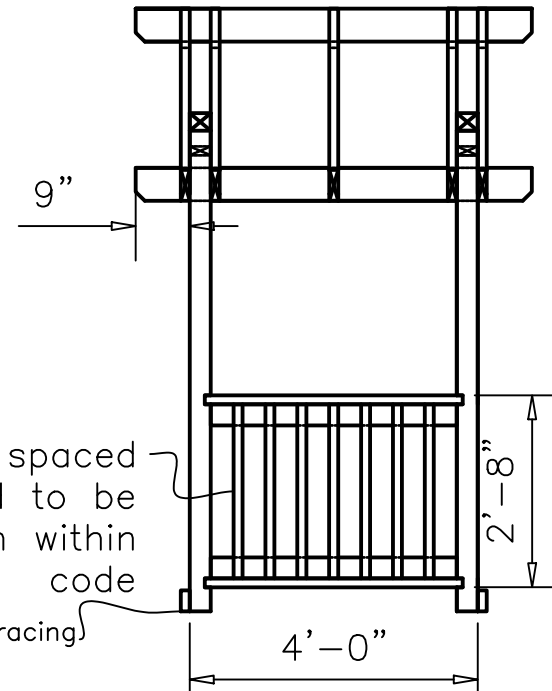
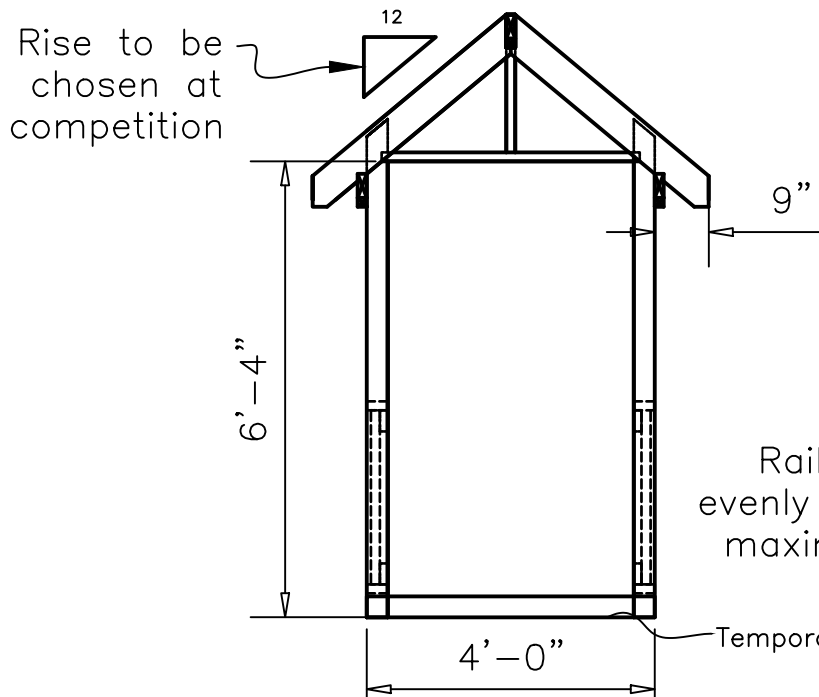
Roof Framing Plan

- All material is ACQ
- Roof Ledger height and slope to be decided at the competition



Front View

Side View



STEINBACH REGIONAL
SECONDARY SCHOOL
DESIGN DRAFTING

Garden Arbor
Skills MB 2020

DRAWN BY: <i>M. Schmidt</i>	DATE: <i>Feb. 2020</i>	SCALE: <i>NTS</i>
CHECKED BY:	DATE:	PERIOD:
DWG NO:	REV:	