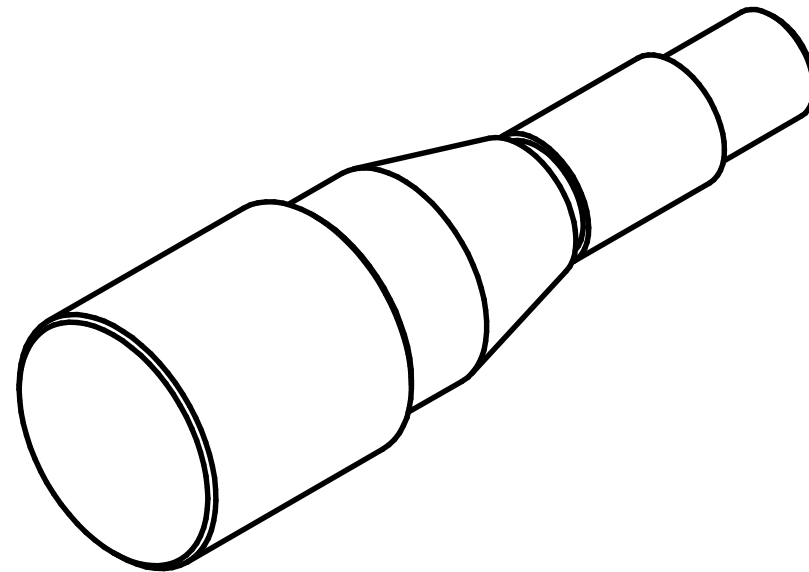



Grind threading tool
Grind grooving tool .125" (or less) wide.

Time to completion will be used as a tie breaker.



| | | | | | | | |
|--------------------------|----------|-----------|------|--|----------------|-------------------------|---|
| NOTES | ITEM NO. | MATERIAL | QTY. | TOLERANCE UNLESS OTHERWISE SPECIFIED | HEAT TREATMENT | | SKILLS MANITOBA 2016 |
| | | SAE 12L14 | | FRAC. $\pm 1/64"$ X.X $\pm .050"$ X.XX $\pm .010"$ X.XXX $\pm .005"$ X.XXXX $\pm .0005"$ | NONE | | |
| SOLID EDGE ACADEMIC COPY | | | | | SCALE | BREAK ALL SHARP CORNERS |  |
| | | | | | NTS | REMOVE ALL BURRS | |
| | | | | | DRAWN BY | | |
| | | | | | W.PALMER | | |