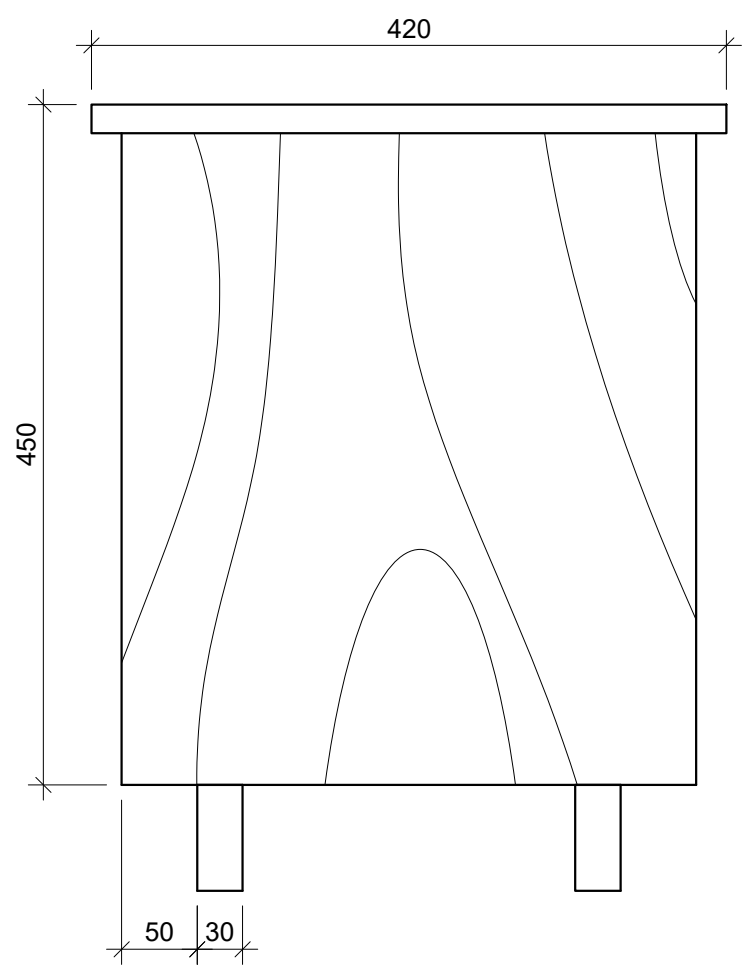
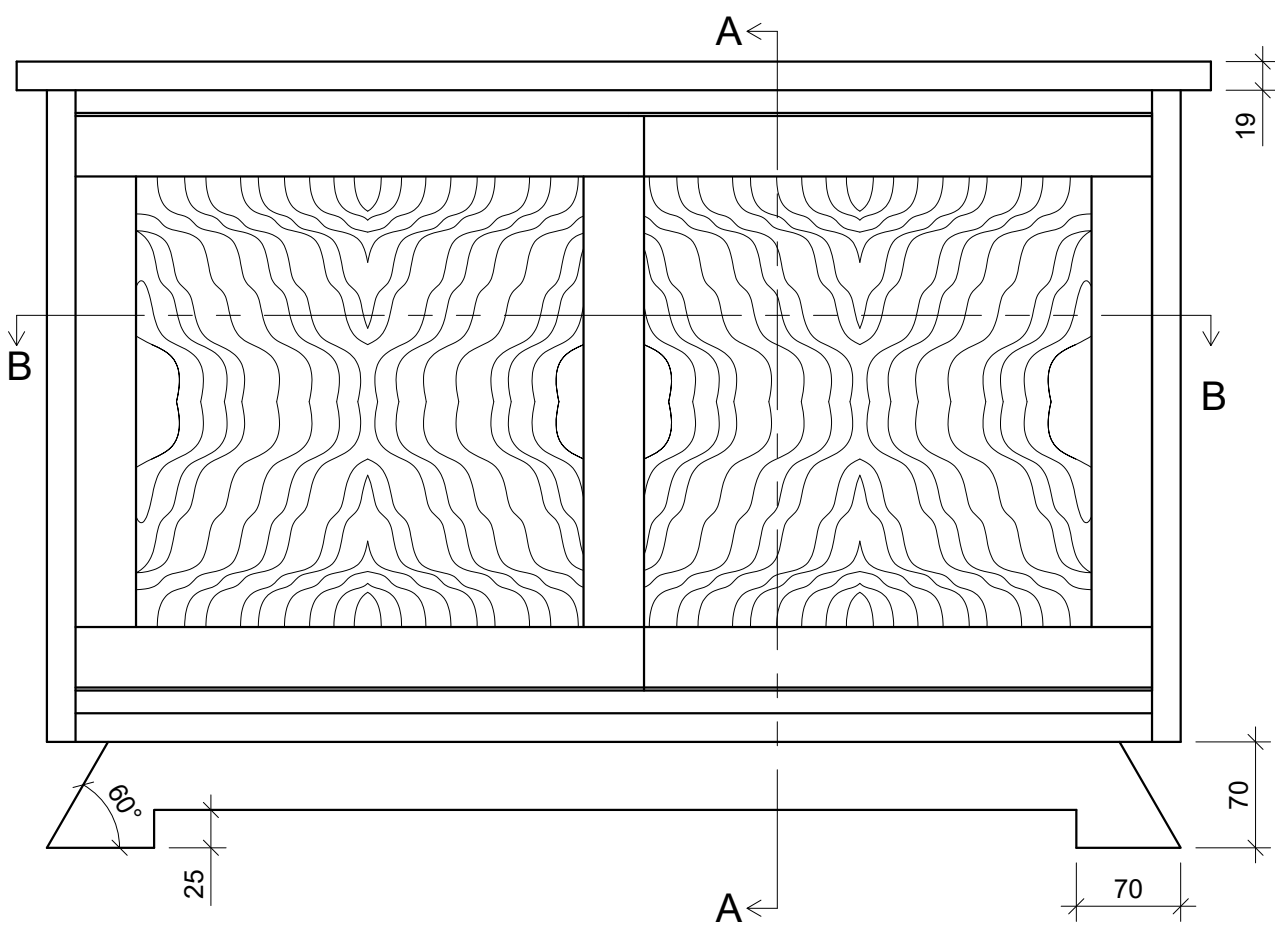


790

NOTES TO COMPETITOR

- CASE IS HARDWOOD PLYWOOD WITH .5MM IRON ON EDGE BANDING FRONT AND BACK
- CASEWORK SECURED WITH # 20 BISCUITS
- DOOR SLIDES IN SOLID HARDWOOD TRACK SECURED WITH SCREWS
- TRESTLE BASE IS SECURED WITH SCREWS



SKILLS/COMPETENCE  
MANITOBA

PROVINCIAL  
COMPETITION 2019

WINNIPEG MB

TRADE 24

CABINETMAKING

COMPETITION  
PROJECT

**SECONDARY &  
POST-SECONDARY  
PROJECT**

**TOP, FRONT  
& RIGHT SIDE  
VIEWS**

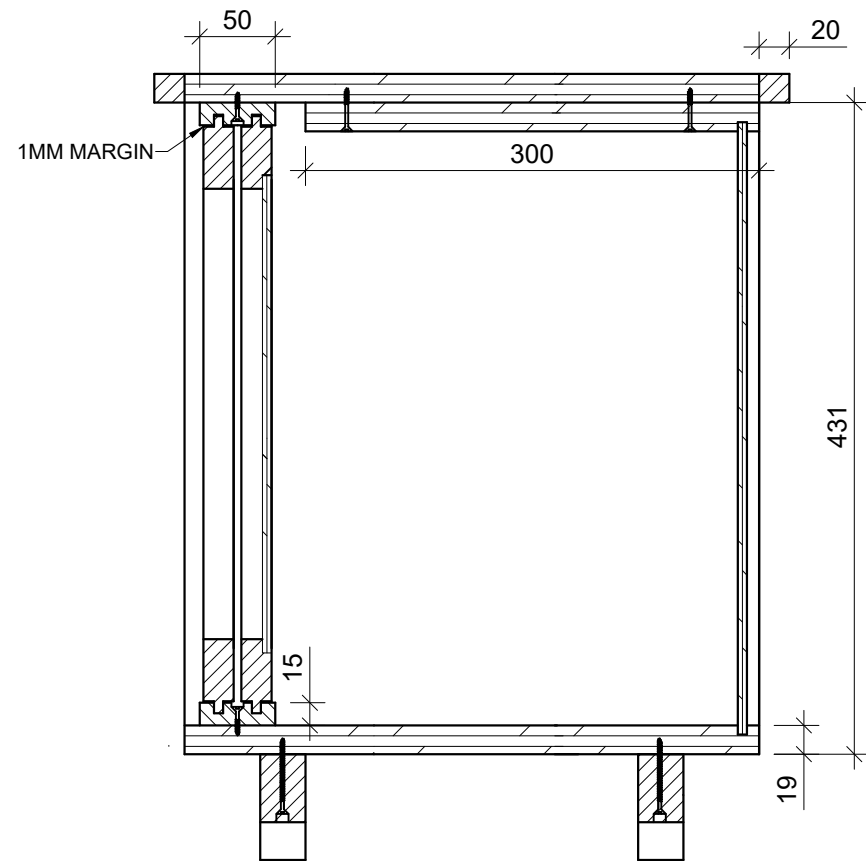
SCALE:  
NTS

DATE  
DECEMBER,  
2018

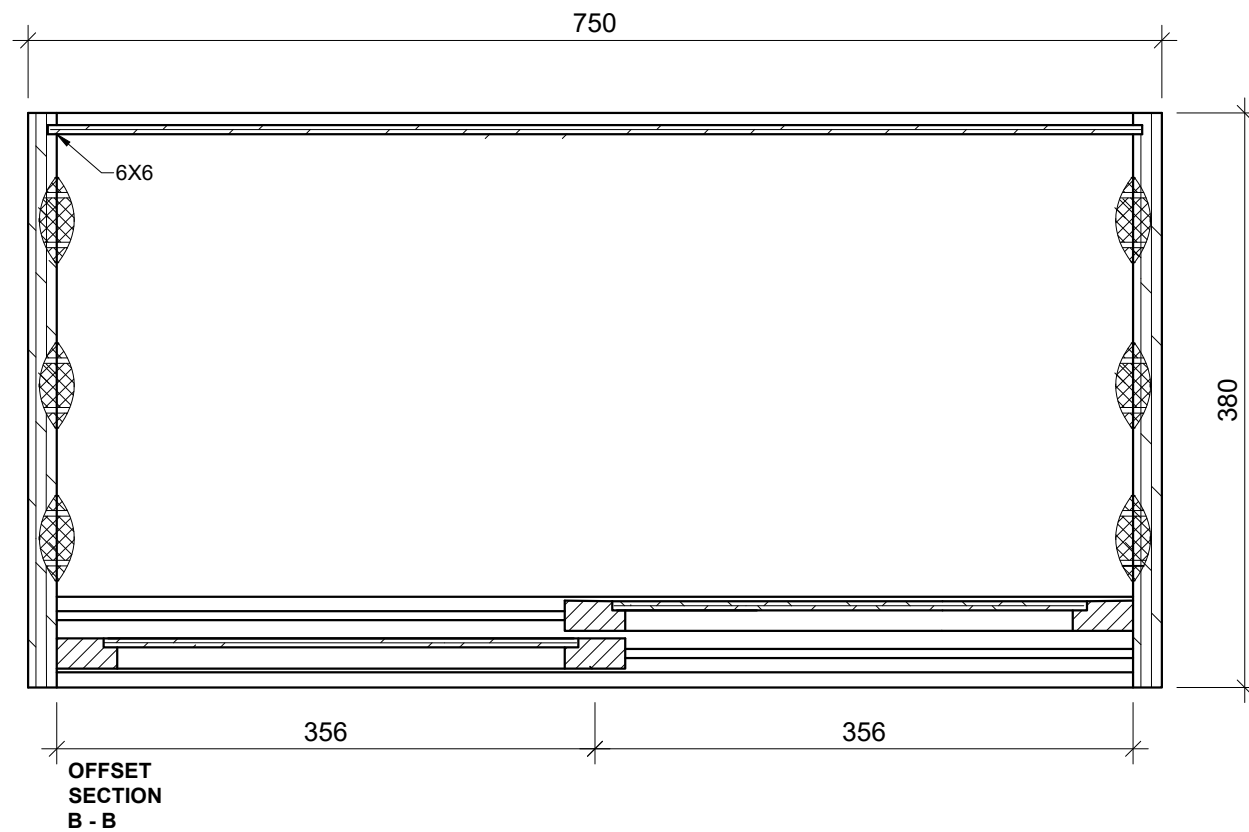
DRAWN BY:  
TAB

PAGE:  
1/2

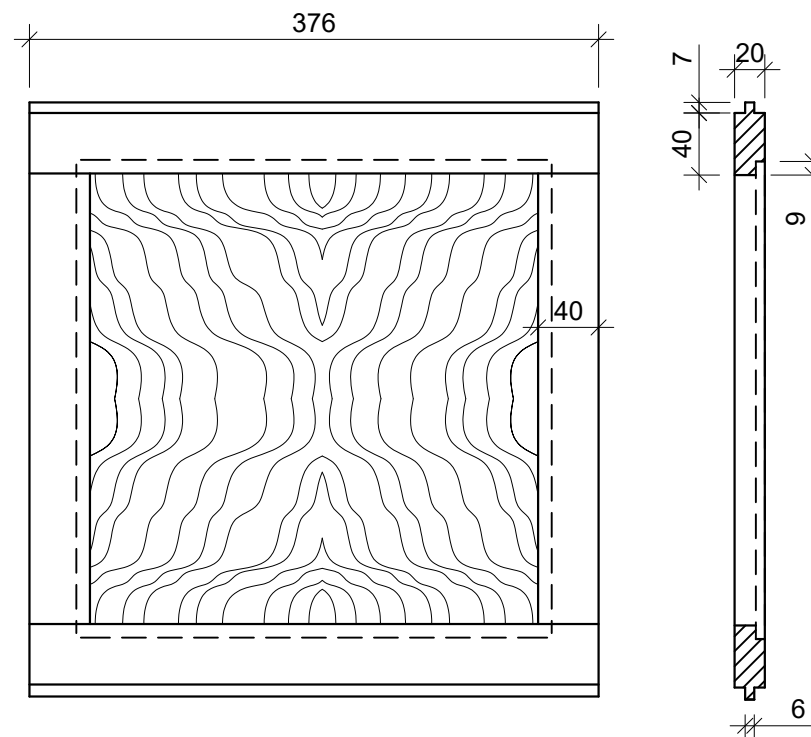




SECTION  
A - A



OFFSET  
SECTION  
B - B



DOOR  
DETAIL

NOTES TO COMPETITOR

- STILE AND RAIL DOORS ARE DOWEL CONSTRUCTION
- 1MM MARGIN ON TOP AND BOTTOM OF DOORS
- DOOR PANELS TO BE FASTENED FROM BACK WITH 23 GAUGE PINS
- ALL EDGES TO BE BROKEN

SKILLS/COMPETENCE  
MANITOBA

PROVINCIAL  
COMPETITION 2019

WINNIPEG MB

TRADE 24

CABINETMAKING

COMPETITION  
PROJECT

SECONDARY &  
POST-SECONDARY  
PROJECT

SECTIONS  
AND  
DOOR  
DETAILS

SCALE:  
NTS

DATE  
DECEMBER,  
2018

DRAWN BY:  
TAB

PAGE:  
2/2