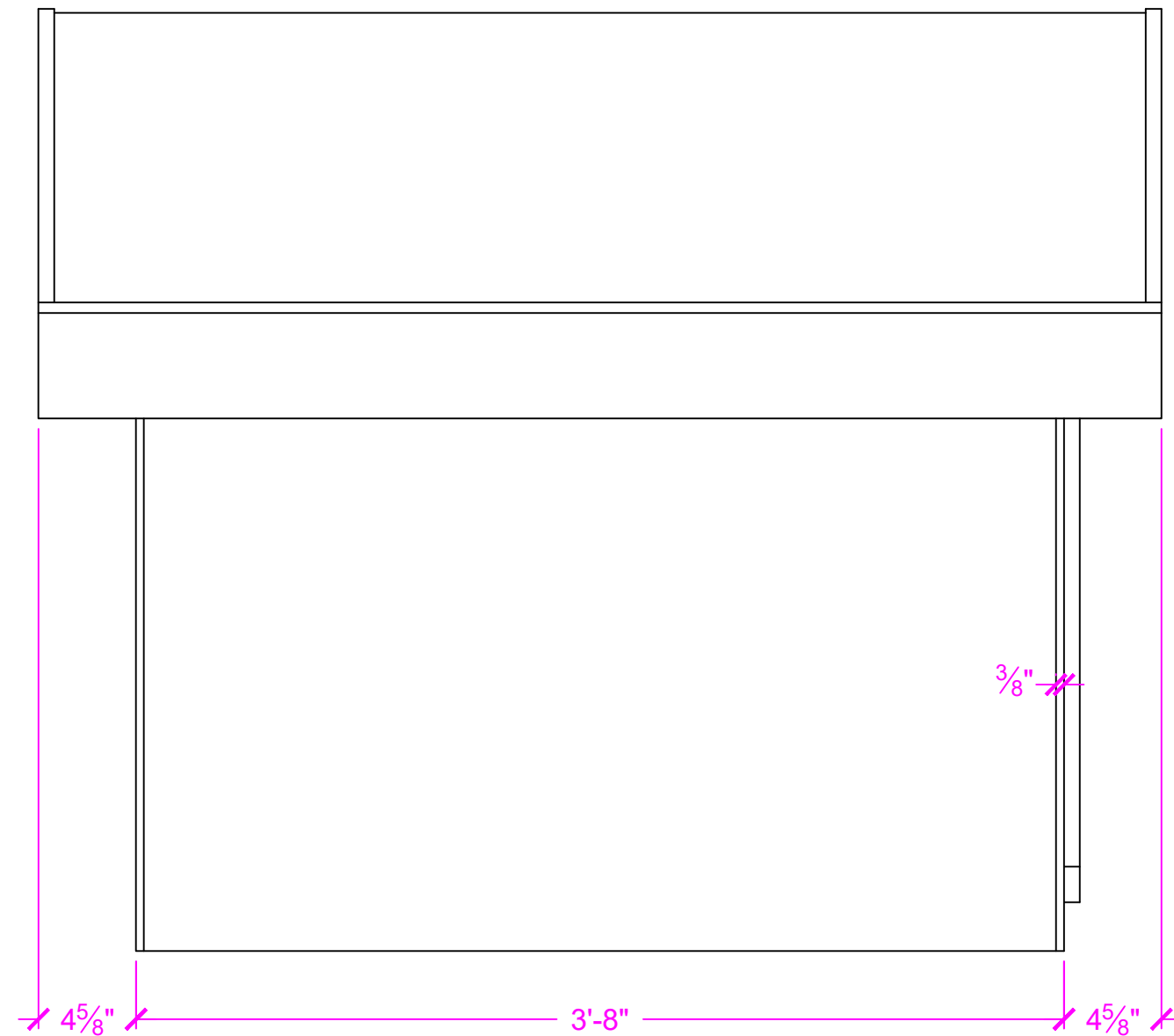
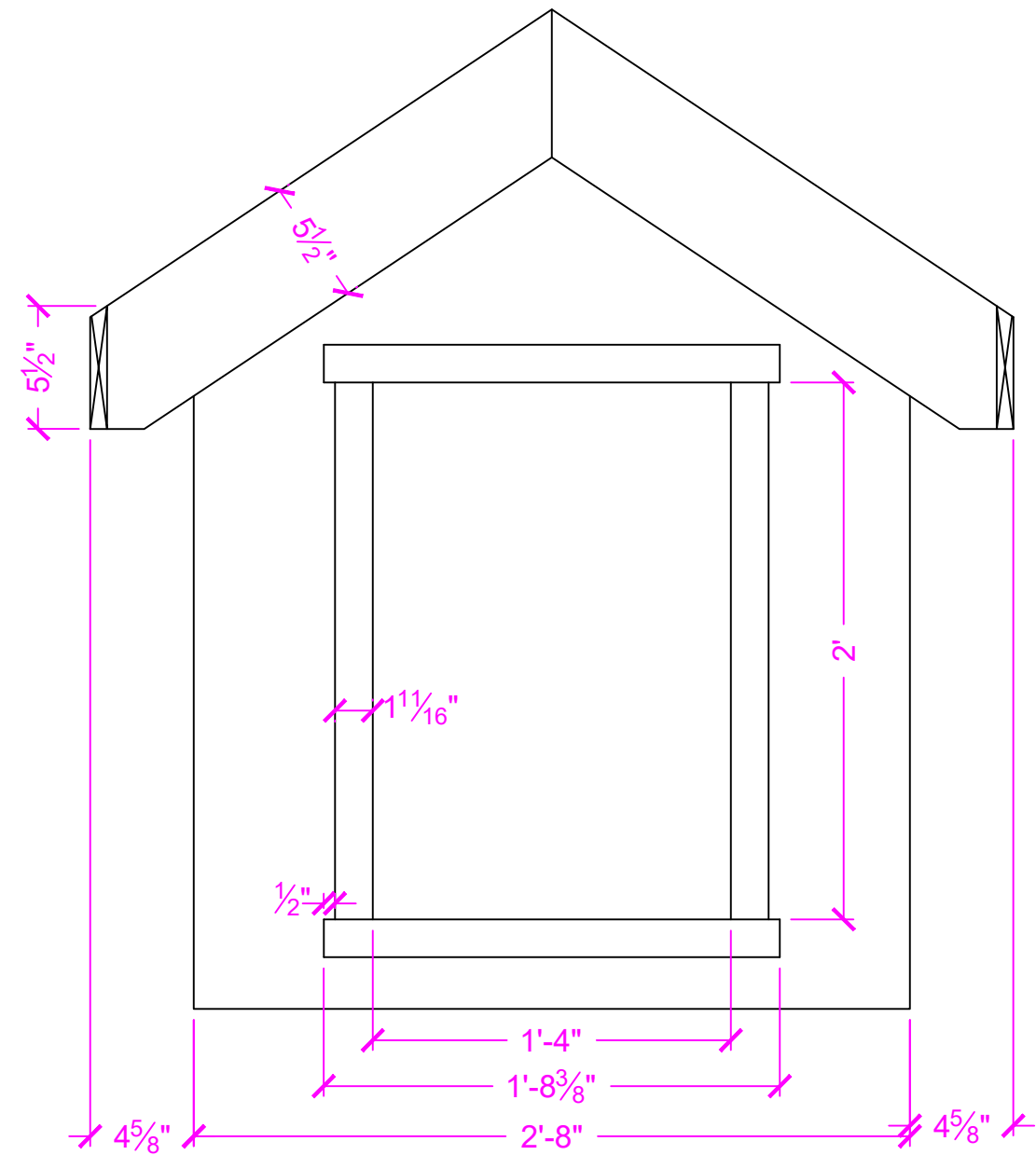


SKILLS CANADA  
MANITOBA COMPETITION  
RED RIVER COLLEGE

PROJECT: DOG HOUSE  
TITLE: ELEVATIONS  
SCALE: 1 1/2" = 1'  
DATE: 02/26/18  
PAGE: 1 of 3  
DRAWN BY: R. REMPEL



SIDE ELEVATION

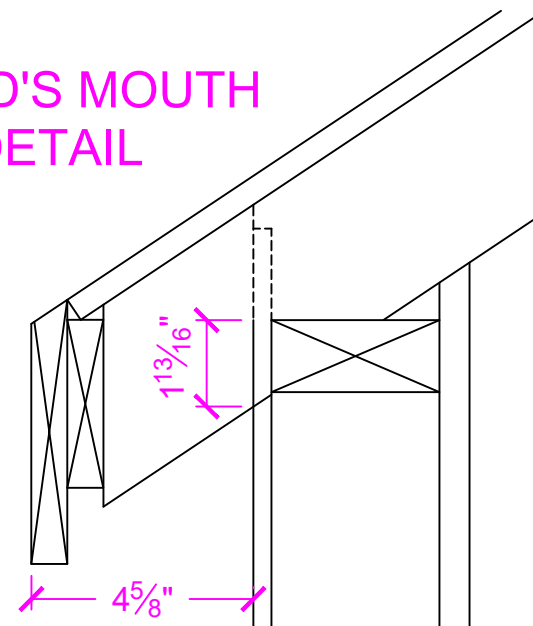


FRONT ELEVATION

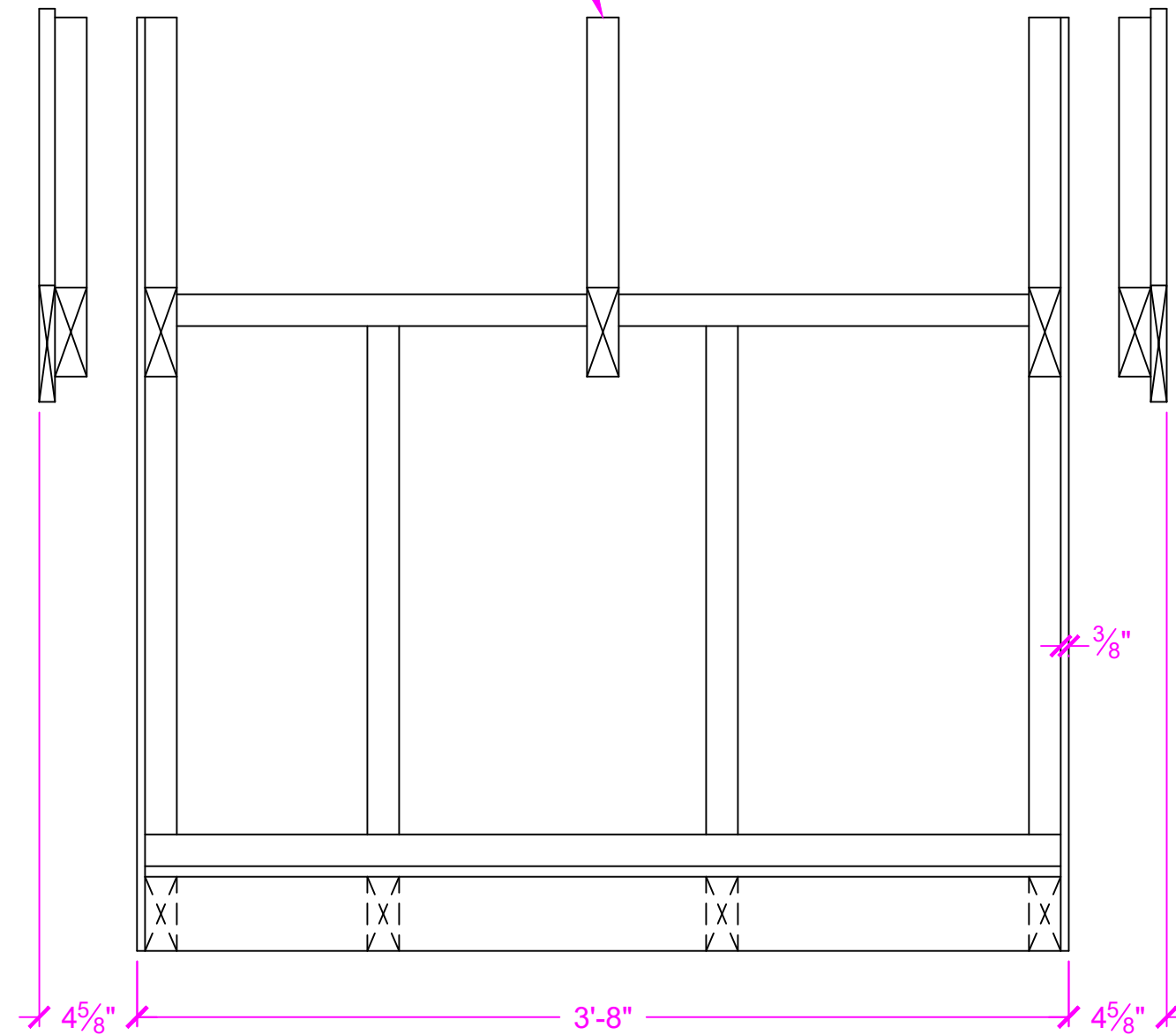
SKILLS CANADA  
 MANITOBA COMPETITION  
 RED RIVER COLLEGE

PROJECT: DOG HOUSE  
 TITLE: FRAMING DETAIL  
 SCALE: 1 1/2" = 1'  
 DATE: 02/26/18  
 PAGE: 2 of 3  
 DRAWN BY: R. REMPEL

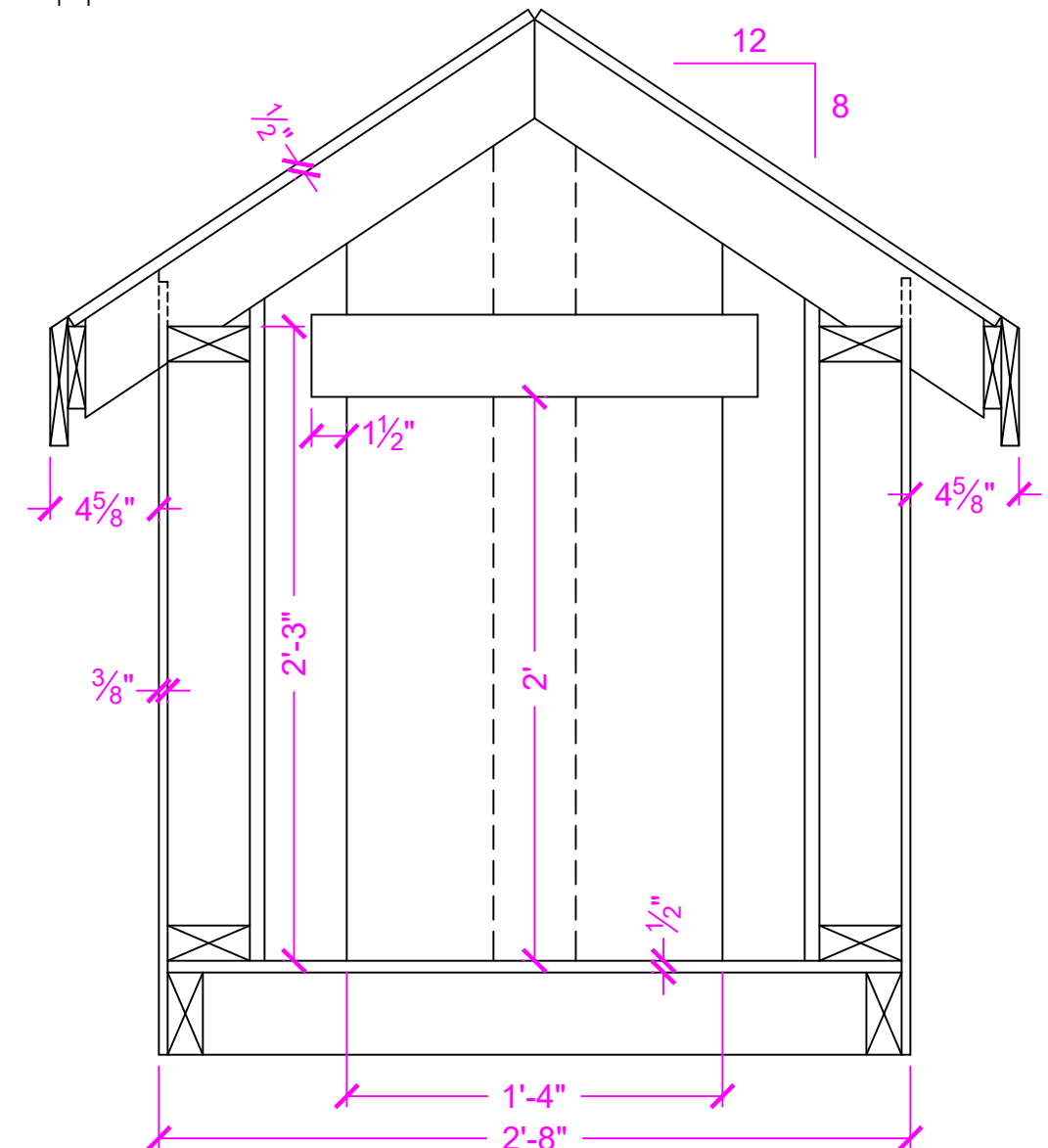
BIRD'S MOUTH  
 DETAIL



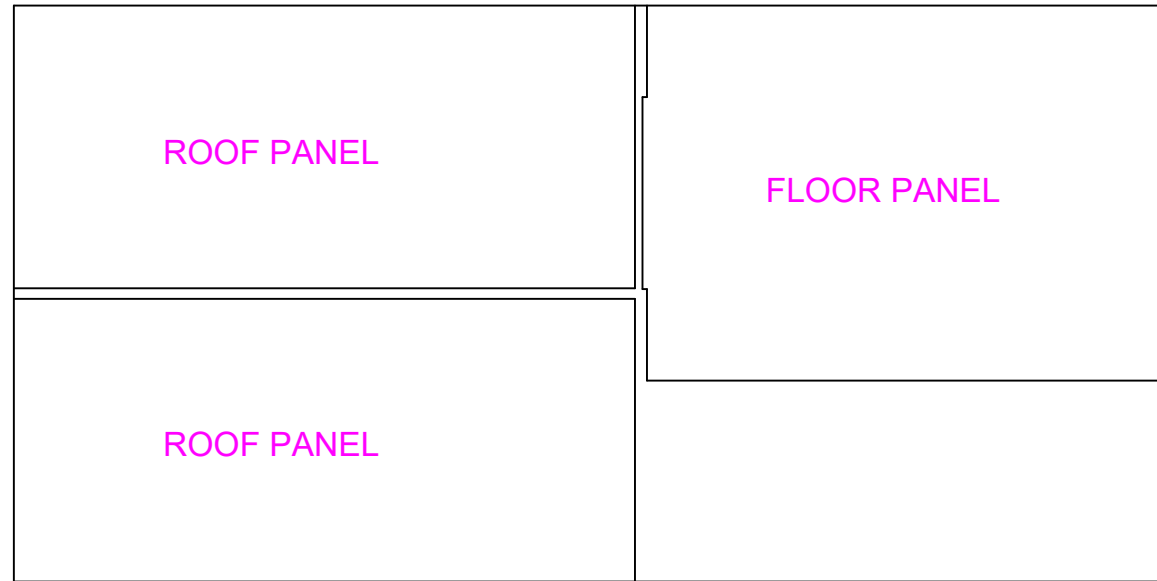
MIDDLE RAFTER CENTERED



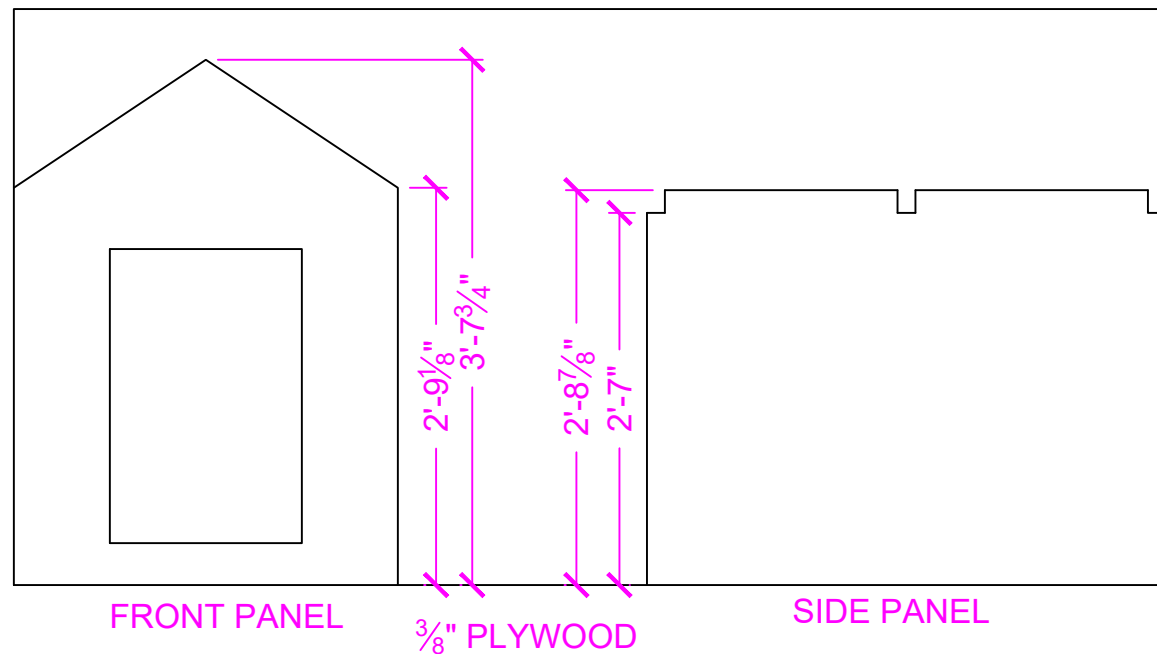
FLOOR AND WALL FRAMING AT 16" O.C.



PROJECT: DOG HOUSE  
 TITLE: PANEL DETAIL  
 SCALE: 3/4" = 1'  
 DATE: 02/26/18  
 PAGE: 3 of 3  
 DRAWN BY: R. REMPEL



1/2" PLYWOOD



**CONSTRUCTION SEQUENCE**

- Construct floor
- Frame and install side walls
- Install sheathing on side walls
- Install sheathing on back wall
- Install temporary brace to hold front wall square (use 1 x 4 subfascia)
- Install rafters
- Install center stud on back wall
- Install front wall framing
- Install sheathing on front wall
- Tack on 1 x 4 subfascia
- Install roof sheathing
- Adjust height of 1 x 4 subfascia if necessary
- Install 2 x 4 rake overhang rafters
- Install 1 x 6 fascia
- Install door trim

2 - RIM JOISTS & 2 - FLOOR JOISTS

2 - WALL PLATES & 2 FLOOR JOISTS

2 - WALL PLATES & 2 STUDS

5 - STUDS

1 - STUD, BACK WALL STUD & DOOR FRAMING

5 - RAFTERS

5 - RAFTERS

2 - 1 x 6 RAKE FASCIA

2 - 1 x 4 SUBFASCIA

1 x 6 EAVE FASCIA

1 x 6 EAVE FASCIA

DOOR TRIM